



# Resource Consent Application

**Upgrade of an Existing Telecommunication Facility at  
1283 Motukiore Road, Horeke**

**Two Degrees Networks Limited**

Prepared by:

**SLR Consulting New Zealand**

SLR Project No.: 810.030870.00001

Client Reference No.: NTH-001-013 Rawene

6 September 2024

Revision: Draft v1.0

## Revision Record

---

Prepared for: Two Degrees Networks Limited

---

Prepared by: Jo Li  
Senior Planning Consultant



---

Checked by: Nicky Sedgley  
Technical Director Planning



---

Authorised by: Jennifer Valentine  
Technical Director - Planning



---

SLR Project No.: 810.030870.00001

---

SLR Ref No.: RCA\_NTH-001-013 Rawene\_v1.0

---

Revision: Date:

---

Draft v0.1 3 September 2024

---

Issued v1.0 6 September 2024

---

## Basis of Report

This report has been prepared by SLR Consulting New Zealand (SLR) with all reasonable skill, care and diligence, and taking account of the timescale and resources allocated to it by agreement with Two Degrees Networks Limited (the Client). Information reported herein is based on the interpretation of data collected, which has been accepted in good faith as being accurate and valid.

This report is for the exclusive use of the Client. No warranties or guarantees are expressed or should be inferred by any third parties. This report may not be relied upon by other parties without written consent from SLR.

SLR disclaims any responsibility to the Client and others in respect of any matters outside the agreed scope of the work.



## Table of Contents

<b>1.0 Information requirements</b>	<b>1</b>
<b>2.0 Introduction</b>	<b>1</b>
<b>3.0 Proposal</b>	<b>1</b>
3.1 Permitted activities that form part of the proposal	2
<b>4.0 Consent history</b>	<b>2</b>
<b>5.0 Site and surrounding environment</b>	<b>2</b>
<b>6.0 Reasons for the application</b>	<b>4</b>
6.1 National Environmental Standards for Telecommunication Facilities	4
6.2 Overall activity status	4
<b>7.0 Assessment of effects on the environment</b>	<b>4</b>
7.1 Introduction	4
7.2 Visual amenity effects	6
7.3 Positive effects	6
7.4 Conclusion	6
<b>8.0 Statutory assessment</b>	<b>6</b>
8.1 Section 104(1)(a) (Actual and potential effects)	7
8.2 Section 104(1)(ab) (Offsetting or compensation)	7
8.3 Section 104(1)(b) (Statutory documents)	7
8.4 Section 104(1)(c) (Other matters)	8
<b>9.0 Other relevant sections of the Act</b>	<b>8</b>
9.1 Section 108 (Proposed conditions of consent)	8
9.2 Section 125 (Lapsing of consent)	8
9.3 Section 35 (Monitoring charges)	9
<b>10.0 Notification assessment</b>	<b>9</b>
10.1 Public notification assessment	9
10.2 Limited notification assessment	10
10.3 Notification assessment conclusion	13
<b>11.0 Part 2 of the Act</b>	<b>13</b>
<b>12.0 Conclusion</b>	<b>14</b>

## Figures in Text

Figure 1: Locality plan of the site (Source: GRIP Map)	iv
Figure 2: The Site zoning map under the ODP (Source: ODP Planning Map)	3



Figure 3: The Site zoning map under the PDP (Source: PDP Planning Map)..... 3

## Appendices

Appendix A Record of Title

Appendix B Application Plans

Appendix C Rules Assessment - National Environmental Standards for Telecommunication Facilities 2016 (NESTF)

Appendix D Rules Assessment - Operative Far North District Plan (ODP) and Proposed Far North District Plan (PDP)

Appendix E Application Form



## Application details

Consent authority:	Far North District Council
Applicant:	Two Degrees Networks Limited
Address for service:	SLR Consulting New Zealand 201 Victoria Street West Auckland 1010 Attention: Jo Li
Address for fees:	Two Degrees Networks Limited C/- SLR Consulting New Zealand 201 Victoria Street West Auckland 1010
Site:	1283 Motukiore Road, Horeke
Legal description:	Part Section 1-2 Parish of Waima
Owner(s):	Clearspan Property Assets Limited; Noeleen McCarthy
Site area:	77.6652 hectares (ha)
Plan(s):	<ul style="list-style-type: none"> <li>Operative Far North District Plan (ODP)</li> <li>Proposed Far North District Plan (PDP)</li> </ul>
Zone(s):	<ul style="list-style-type: none"> <li>ODP: Rural Production;</li> <li>PDP: Rural Production</li> </ul>
Designation(s):	N/A
Overlay(s) or control(s):	<ul style="list-style-type: none"> <li>ODP: N/A.</li> <li>PDP: Coastal Environment; High Natural Character (Reference HNC564, HNC573 and HNC598)</li> </ul> <p><i>Note.</i> The location of the facility on the site is not subject to these planning overlays.</p>
Other notation(s):	<ul style="list-style-type: none"> <li>NRC - River Flood Hazard Zone</li> <li>NRC – Coastal Flood Zone</li> </ul> <p><i>Note.</i> The location of the facility is not subject to these planning limitations.</p>
Brief description of the proposed activity:	The proposed upgrade of an existing 2degrees telecommunications facility (2degrees site code: NTH-001-013 Rawene), involving the replacement of one existing microwave dish antenna on the existing telecommunication pole.
Resource consent(s) required:	<p><u>National Environmental Standards for Telecommunication Facilities 2016 (NESTF):</u></p> <p>The proposed facility is a controlled activity under the NESTF as it does not comply with regulation 33 of the NESTF and is a permitted activity under the ODP.</p> <p><u>Operative Far North District Plan (ODP):</u></p>



Nil. The proposed facility is a permitted activity under the ODP.

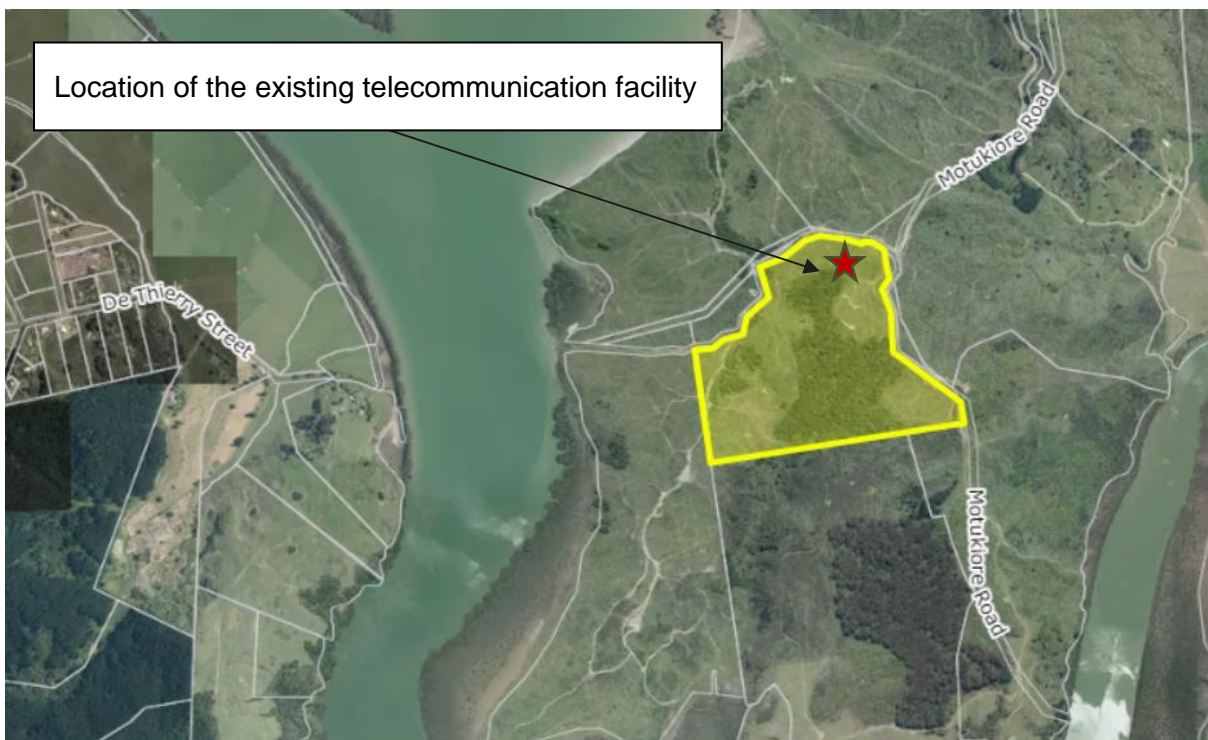
Proposed Far North District Plan (PDP):

Nil. At the time of the application is lodged, the relevant chapters in the PDP do not have legal effect

Status of the proposed activity:

Controlled Activity.

**Figure 1: Locality plan of the site (Source: GRIP Map).**



## 1.0 Information requirements

This resource consent application has been prepared in accordance with the requirements of Schedule 4 of the Resource Management Act 1991 (the Act or the RMA). It provides the information necessary for a full understanding of the proposed activity and any actual or potential effects that the proposed activity may have on the environment and is in such detail that corresponds with the scale and significance of the proposed activity.

## 2.0 Introduction

Two Degrees Networks Limited ('2degrees') is one of New Zealand's largest mobile network providers. Since the company's launch in 2009, the mobile industry has seen true competition in the market, which in turn has delivered better value to all New Zealand mobile users.

The company has experienced rapid growth, and now has the support of more than one million mobile customers. In 2015 2degrees acquired Snap, an Internet Service Provider, and now also provides fixed line mobile services so that it is a full-service communications provider. In June 2022, Connexa acquired 2degrees' passive mobile telecommunications tower assets. 2degrees will continue to own the active elements of its network, including the radio access equipment, spectrum assets, transmission and backhaul, ensuring a world-class network and customer experience.

The world of mobile is changing rapidly, driven by significant advances in technology and increased competition. Consumers have embraced mobile – it is believed more than 70% of Kiwis now own a smartphone and many of those also have three to five other personal mobile devices – tablets, iPads etc. – at their disposal.

With content at their fingertips, this has seen an insatiable demand for high-speed data from their customers who want, and expect to be able to use, their mobile devices whenever and wherever they are. Data usage on the 2degrees network continues to double year on year, with similar growth expected in future.

To meet this demand, 2degrees needs to continue to build and expand its network in order to deliver a high-quality mobile experience to their growing customer base. To address coverage issues within the existing urban networks, 2degrees is deploying new technology to improve service levels and network capacity and coverage.

## 3.0 Proposal

2degrees is seeking resource consent to upgrade and maintain the existing telecommunication facility located at 1283 Motukiore Road, Horeke. The details of the proposal are shown on the drawings in Appendix B. The proposal involves the following key elements:

- Replacement of one existing microwave dish antenna of 1,200mm diameter with one new microwave dish antenna, measuring 1,286mm in diameter, attached to the existing telecommunication monopole at approximately 20.0m from the ground level.
- Installation of new ancillary equipment adjacent to the proposed microwave dish that is necessary for its operation.

No earthworks or vegetation clearance is required for the proposal. There is no change to the height of the existing facility.



### **3.1 Permitted activities that form part of the proposal**

A detailed rules assessment is provided in Appendices B and C. The permitted activities that form part of the proposal are summarised below:

#### **3.1.1 Operative Far North District Plan (ODP)**

- The proposed facility is a permitted activity under Rule 17.2.6.1, as it complies with all relevant standards set out in Rule 17.2.6.1.4.

### **4.0 Consent history**

The existing 25m high telecommunication monopole is operated by One.NZ (previously Vodafone New Zealand Ltd) and was established via a resource consent (RC 2010884) granted on 19<sup>th</sup> October 2001. A Certificate of Compliance (Council reference: 2180198-RMACOC) was issued on 30<sup>th</sup> October 2017 to install and operate the 2degrees facilities, including installation of cabinets, panel and dish antennas, ancillary equipment and a new headframe attached to the existing pole. As such, all existing telecommunication facilities on the site are considered lawfully established.

### **5.0 Site and surrounding environment**

The site that the existing telecommunications facility is located on is a large piece of privately owned rural land located at 1283 Motukiore Road, Horeke. It is legally described as Part Allot 2 PSH OF Waima. A copy of the record of title is attached in Appendix A. There are no interests that are relevant to the application.

The site is in the Rural Production Zone under the Operative Far North District Plan (ODP) and it is not subject to other planning limitations (Figure 2). Under the Proposed Far North District Plan (PDP), the site is in the Rural Production Zone and the wider site is subject to the Coastal Environment overlay. Three High Natural Character areas are located in the northern and western portion of the site (Figure 3). It is noted that the location of the existing telecommunication facility is not within the Coastal Environment overlay and not in any of the High Natural Character areas.

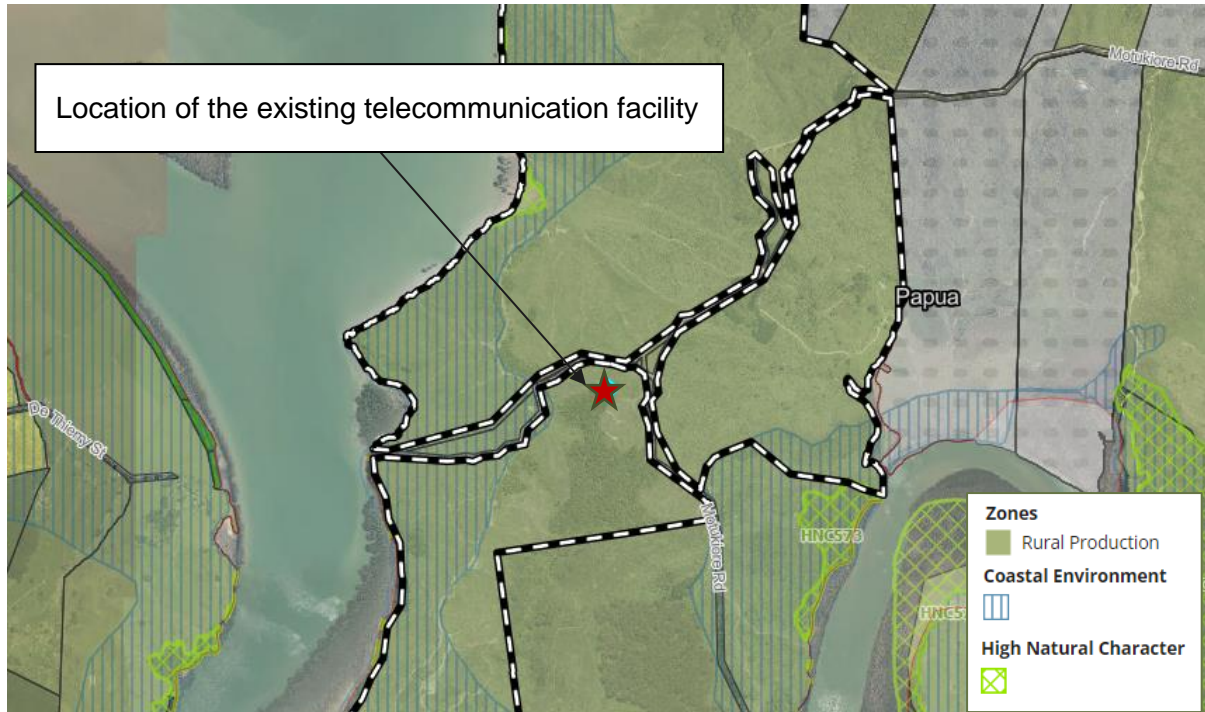




**Figure 2: The Site zoning map under the ODP (Source: ODP Planning Map).**



**Figure 3: The Site zoning map under the PDP (Source: PDP Planning Map)**



## 6.0 Reasons for the application

An assessment of the proposal against the relevant statutory documents has been undertaken and the following reasons for consent have been identified. A detailed rules assessment is provided in Appendices C and D.

### 6.1 National Environmental Standards for Telecommunication Facilities

The proposal requires resource consent under the NESTF for the following reasons:

- Pursuant to regulation 14, the proposed upgrade is for a **controlled activity** under the NESTF as it is a **permitted activity** under the Operative Far North District Plan (see Appendix D), notably:
  - The proposed replacement microwave dish antenna measures 1.286m in diameter, exceeding the permitted size of 1.2m in diameter. Therefore, the replacement dish does not meet the permitted standards under regulation 33(3).

For completeness, it is noted that the relevant chapters in the Proposed Far North District Plan (PDP) do not have legal effect at the time the application is lodged.

### 6.2 Overall activity status

Overall, resource consent is required for a **controlled activity**.

#### 6.2.1 Sections 87A and 104A (Controlled activities)

As a controlled activity, the consent authority must grant resource consent except if section 106 applies or section 55(2) of the Marine and Coastal Area (Takutai Moana) Act 2011 applies. The application can only be assessed against the specific matters that control has been reserved over, which are:

- Under Regulation 14(2) of the NESTF:

*For the purposes of section 87A(2)(a) of the Act, control is reserved over the subject matter of each regulation (or component of a regulation) –*

*(a) Compliance with which is part of the standard; and*

*(b) That is not complied with.*

Conditions of consent can only be imposed in relation to these matters.

## 7.0 Assessment of effects on the environment

### 7.1 Introduction

Having reviewed the relevant plan provisions and taking into account the matters that must be addressed by an assessment of effects on the environment as outlined in clause 7 of Schedule 4 of the Act, the effects that warrant consideration as part of this application are listed below.

As this application is for a **controlled activity**, the relevant effects are restricted to the matters that consent authority has reserved control over the matters listed in Section 6.2.1 above.



An assessment of these effects, that corresponds with the scale and significance of the effects that the proposed activity may have on the environment, is provided below. Clause 7(2) notes that the requirement to address matters in the assessment of effects on the environment is subject to the provisions of any policy statement or plan. The relevant documents are also assessed in this report.

### **7.1.1 Permitted baseline**

The “permitted baseline” is relevant to the assessments under sections 95A to 95G and 104 of the Act. Under these sections, the consent authority may disregard an adverse effect on the environment if a national environmental standard or the plan permits an activity with that effect. This is the permitted baseline. It is only the adverse effects over and above those forming a part of the baseline that are relevant when considering an application.

The purpose of the permitted baseline test is to isolate, and make irrelevant, the effects of activities on the environment that are permitted by the plan. When applying the baseline, such effects cannot then be taken into account when assessing the effects of a particular resource consent application. The baseline has been defined by case law as comprising the “existing environment” and non-fanciful (i.e., credible) activities that would be permitted as of right by the plan and/or national environmental standard in question.

In this case, the permitted baseline relevant to this application is in the NESTF. Under the NESTF, for replacement dish antennas on an existing pole that is not in a road reserve and not on residential zoned land, the diameter of the dish must not be more than 1.2m or not greater than the size of the existing dish antennas. The existing dish antenna to be replaced is 1.2m in diameter while the proposed upgraded dish antennas will be 1.286m in diameter. As such, the additional 0.086m in diameter infringes the relevant regulations under the NESTF and therefore is relevant to this assessment.

As noted above, the upgraded facility will continue to comply with the radiofrequency regulations under the NESTF and there is no change to the cabinets, nor height or location of the pole. Therefore, no further consideration of these matters is required.

### **7.1.2 Receiving environment**

In assessing the potential effects on the environment, the “receiving environment” for effects must be considered.

The receiving environment is a mandatory consideration that is defined by case law, and it is the environment beyond the site upon which a proposed activity might have effects. This includes the future state of the environment upon which effects will occur, including:

- the environment as it might be modified by the utilisation of rights to carry out permitted activities; and
- the environment as it might be modified by implementing resource consents that have been granted at the time a particular application is considered, where it appears likely that those resource consents will be implemented.

In this case, the receiving environment is as described in Section 5.0 of this report. In particular, it includes the existing telecommunications pole with antennas and ancillary equipment attached onto, and cabinets managed by multiple network operators.

### **7.1.3 Other considerations**

Sections 95D(d) to 95D(e) and 104(3)(a) of the Act require that assessments must disregard:



- trade competition, or the effects of trade competition; and
- any effect on a person who has given written approval to this application.

Trade competition and written approval are not relevant to this application.

## 7.2 Visual amenity effects

Due to the additional size of the replacement dish antenna and the additional protrusion distance of the upgrade facility, the proposal has the potential to result in adverse visual amenity effects on the surrounding environment.

The additional size of the upgraded dish antenna, being 0.086m in diameter, is necessary due to the type of microwave dish proposed. Although the replacement dish antenna will be slightly bulkier than the existing dish that is to be removed and replaced, the upgraded antenna will be the same recessive colours as the existing antenna.

Furthermore, the proposed replacement antenna will be attached to the same height and azimuth as the existing antennas and will generally appear as a 'like-for-like' replacement. The dish will be attached to the pole at approximately 20m above ground level, which reduces its visual presence in the surrounding landscape, and when considering the overall facility will not be a dominant feature.

The proposed microwave dish is not anticipated to create any undue shadowing or additional dominance to the surrounding area particularly given the location of the facility is in an area of vacant rural land and adequately set back from all site boundaries. The facility will continue to form an accepted utility element within its surroundings when viewed within the context of the existing environment, with the change in dish being able to be absorbed within this environment with limited impact on the visual amenity associated with the area.

Overall, it is considered that the proposed upgraded facility will result in less than minor adverse effects in terms of visual amenity.

## 7.3 Positive effects

The proposal will generate positive effects on the environment, being:

- Upgrading the existing facility to provide an enhanced and advanced performance service;
- Continuing to provide efficient and effective network service to the current and future rural residents, visitors and businesses in the wider Horeke area and thereby, providing for the socioeconomic and general wellbeing of the wider community.

## 7.4 Conclusion

Overall, based on the preceding assessment, the proposal will have less than minor adverse effects on the surrounding environment as well as positive effects of improving the existing telecommunication facility for the local area.

## 8.0 Statutory assessment

Section 104(1) of the Act requires that, when considering a resource consent application, the consent authority must have regard to the matters set out in subsections (1)(a), (ab), (b) and (c). These matters are addressed below, and all are subject to Part 2.



## 8.1 Section 104(1)(a) (Actual and potential effects)

Section 104(1)(a) requires the consent authority to have regard to “any actual and potential effects on the environment of allowing the activity”.

As assessed in Section 7.0 of this report above, the proposed activity will have less than minor adverse effects in regard to visual amenity effects as well as positive effects of improving the existing telecommunication facility for the local area.

Overall, it is considered that the actual and potential effects of the proposal are acceptable.

## 8.2 Section 104(1)(ab) (Offsetting or compensation)

Section 104(1)(ab) requires that the consent authority consider “any measure proposed or agreed to by the applicant for the purpose of ensuring positive effects on the environment to offset or compensate for any adverse effects on the environment that will or may result from allowing the activity”.

In this case, the proposed activity is not of a scale or nature that would require specific offsetting or environmental compensation measures to ensure positive effects on the environment.

## 8.3 Section 104(1)(b) (Statutory documents)

Section 104(1)(b) requires the consent authority to have regard to any relevant provisions of the following:

- a national environmental standard;
- other regulations;
- a national policy statement;
- a New Zealand coastal policy statement;
- a regional policy statement or proposed regional policy statement; and
- a plan or proposed plan.

An assessment of the relevant statutory documents that corresponds with the scale and significance of the effects that the proposed activity may have on the environment is provided below.

### 8.3.1 National Environmental Standards for Telecommunication Facilities

The NESTF sets out environmental standards to manage and protect our natural resources by providing benchmarks for the planning and operation of telecommunications facilities with regards to radiofrequency fields, installation of equipment cabinets, erection or replacement of poles and antennas, and associated noise generation.

The assessment against the relevant provisions of the NESTF identifies that the proposed microwave dish upgrade does not comply with the relevant standards. However, the foregoing assessment has determined that the proposed replacement dish antenna will result in less than minor adverse effects on the environment, in particular in relation to visual amenity. This assessment, combined with the fact that there is no change to the radiofrequency operation of the facility is considered to overall meet the intent of the NESTF.



## **8.3.2 Operative Far North District Plan**

### **8.3.2.1 Chapter 17. Designations and utility services**

Chapter 17 of the ODP contains a number of objectives and policies in relation to network utility activities across the district.

As noted in section 3.1 of this report, the proposal is a permitted activity under the ODP. Where activities are permitted, it is considered that the activity is inherently consistent with the objectives and policies of the relevant provisions in the district plan.

## **8.3.3 Proposed Far North District Plan**

The PDP has notified on 27 July 2022 and is under further submission stage effects at the time the application is lodged. None of the rules in the relevant chapters (i.e. Infrastructure and Coastal environment) have been declared by the council as having immediate effects. However, it is worth noting that the PDP provides permitted activity pathways for upgrades to existing telecommunication facilities. The proposal is consistent with the policy intent in the PDP.

## **8.3.4 Weighting**

An assessment of weighting is only relevant if the outcomes under the operative and proposed provisions are different. In this case, as the outcomes are the same, no weighting is required.

## **8.3.5 Conclusion**

The above assessments demonstrate that the proposal is consistent with the relevant provisions of the relevant statutory documents.

## **8.4 Section 104(1)(c) (Other matters)**

In addition to the matters of regard covered under subsections (1)(a), (ab) and (b), subsection (1)(c) states that consideration must be given to "any other matters that the consent authority considers relevant and reasonably necessary to determine the application."

There are no other matters relevant to this application.

## **9.0 Other relevant sections of the Act**

### **9.1 Section 108 (Proposed conditions of consent)**

It is requested that draft conditions of consent are shared with SLR in advance of a decision being made on the application.

### **9.2 Section 125 (Lapsing of consent)**

Section 125 prescribes a standard consent period of five years in which all works must be undertaken, but this may be amended as deemed appropriate by the consent authority. It is requested that the standard five-year period be applied in this case.



## 9.3 Section 35 (Monitoring charges)

Under section 35, the consent authority is required to monitor the exercise of resource consents. Given the limited scale of the proposed activity, and because all mitigation measures are inherent within the application, it is considered that only a limited need for monitoring exists. The Applicant accepts a reasonable monitoring fee in accordance with the consent authority's monitoring fee system and that the consent authority may carry out its monitoring functions by way of inspections of the site during development of the proposal.

## 10.0 Notification assessment

### 10.1 Public notification assessment

Section 95A of the Act requires the consent authority to follow specific steps to determine whether to publicly notify an application. An assessment of the application against these steps is provided below.

#### 10.1.1 Step 1: Mandatory public notification in certain circumstances

An application must be publicly notified if it meets any of the criteria under section 95A(3):

- (3) (a) the applicant has requested that the application be publicly notified;
- (b) public notification is required under section 95C;
- (c) the application is made jointly with an application to exchange recreation reserve land under section 15AA of the Reserves Act 1977.

The Applicant does not request public notification and the application is not made jointly with an application to exchange recreation reserve land.

Therefore, Step 1 does not apply, and Step 2 must be considered.

#### 10.1.2 Step 2: Public notification precluded in certain circumstances

An application must not be publicly notified if it meets any of the criteria under section 95A(5):

- (5) (a) the application is for a resource consent for 1 or more activities, and each activity is subject to a rule or national environmental standard that precludes public notification;
- (b) the application is for a resource consent for 1 or more of the following, but no other, activities:
  - (i) a controlled activity;
  - (iii) a restricted discretionary, discretionary, or non-complying activity, but only if the activity is a boundary activity;

Public notification of the application is precluded as the application is solely for a controlled activity.

Therefore, Step 3 does not apply but Step 4 must be considered.



### 10.1.3 Step 4: Public notification in special circumstances

Under section 95A(9), an application must be publicly notified if the consent authority determines that “special circumstances” exist, notwithstanding that Steps 1 to 3 do not require or preclude public notification.

Special circumstances are not defined by the Act. Case law has, however, identified special circumstances as being “outside the common run of things which is exceptional, abnormal or unusual, but less than extraordinary or unique. A special circumstance would be one which makes notification desirable despite the general provisions excluding the need for notification.”<sup>1</sup> The consent authority should also be satisfied that public notification may elicit additional information on those aspects of the proposal which require resource consent.

However, special circumstances must be more than:

- where the consent authority has had an indication that people want to make submissions;
- the fact that a large development is proposed; or
- the fact that some persons have concerns about the proposal.

No special circumstances exist that require the application being publicly notified as:

- The proposal is for an upgrade to an existing telecommunications facility located on rural land. This cannot be said to be either exceptional or unusual in this location.

### 10.1.4 Public notification summary

From the assessment above it is considered that the application does not need to be publicly notified, but an assessment of limited notification is required.

## 10.2 Limited notification assessment

If the consent authority determines not to publicly notify an application, it must then follow the steps of section 95B of the Act to determine whether to give limited notification of the application. An assessment of the application against these steps is provided below.

### 10.2.1 Step 1: Certain affected groups and affected persons must be notified

An application must be limited notified to the relevant persons if it meets the criteria under sections 95B(2) to 95B(4):

---

<sup>1</sup> *Far North District Council v Te Runanga-a-iwi o Ngati Kahu* [2013] NZCA 221 at [36] and [37].





- (2) (a) affected protected customary rights groups; or
  - (b) affected customary marine title groups (in the case of an application for a resource consent for an accommodated activity).
- (3) (a) whether the proposed activity is on or adjacent to, or may affect, land that is the subject of a statutory acknowledgement made in accordance with an Act specified in Schedule 11; and
  - (b) whether the person to whom the statutory acknowledgement is made is an affected person under section 95E.
- (4) Notify the application to each affected group identified under subsection (2) and each affected person identified under subsection (3).

There are no protected customary rights groups or customary marine title groups or statutory acknowledgement areas that are relevant to this application.

Therefore, Step 1 does not apply, and Step 2 must be considered.

### **10.2.2 Step 2: Limited notification precluded in certain circumstances**

An application must not be limited notified to any persons if it meets any of the criteria under section 95B(6):

- (6) (a) the application is for a resource consent for 1 or more activities, and each activity is subject to a rule or national environmental standard that precludes limited notification:
  - (b) the application is for a controlled activity (but no other activities) that requires a resource consent under a district plan (other than a subdivision of land).

There is no rule in the national environmental standard that precludes notification.

Therefore, Step 2 does not apply, and Step 3 must be considered.

### **10.2.3 Step 3: Certain other affected persons must be notified**

Other affected persons must be notified in the following circumstances specified by section 95B(7) and (8):

- (7) In the case of a boundary activity, determine in accordance with section 95E whether an owner of an allotment with an infringed boundary is an affected person.
- (8) In the case of any other activity, determine whether a person is an affected person in accordance with section 95E.

The proposal is not for a boundary activity.

In deciding whether a person is an affected person under section 95E, the consent authority under section 95E(2):



- (2) (a) may disregard an adverse effect of an activity on a person if a rule or national environmental standard permits an activity with that effect;
- (b) must disregard an adverse effect that does not relate to a matter for which a rule or environmental standard reserves control or restricts discretion; and
- (c) must have regard to every relevant statutory acknowledgement made in accordance with a statute set out in Schedule 11 of the Act.

The consent authority must not consider that a person is an affected person if they have given their written approval, or it is unreasonable in the circumstances to seek that person's written approval.

With respect to sections 95B(8) and 95E, the permitted baseline and matters that were considered as part of the assessment of environmental effects undertaken in Section 7.0 of this report, the potential adverse effects on the environment will be less than minor.

The upgrade to the microwave dish antenna is proposed on an existing telecommunication pole that was lawfully established and has been part of the environment for over 20 years. The proposed dish antenna will be attached at approximately the same location of the existing antenna within a similar size and bulk. While the size of the antenna will increase the permitted diameter of 1.2m by 0.086m, due to the small non-compliance and the location of the facility being separated from public road and all neighbouring properties, there will be less than minor adverse effects on the visual amenity of any person, including those who own or occupy properties on the adjoining rural land.

Therefore, no persons will be affected to a minor or more than minor degree.

#### 10.2.3.1 Statutory acknowledgements

With respect to section 95E(2)(c), when deciding who is an affected person, the consent authority must have regard to every relevant statutory acknowledgement made in accordance with an Act that is specified under Schedule 11. Those named in that schedule are affected if the adverse effects are minor or more than minor.

There are no statutory acknowledgements that are relevant to this application.

#### 10.2.3.2 Step 3 summary

Overall, there are no affected persons.

Therefore, Step 3 does not apply, and Step 4 must be considered.

#### 10.2.4 Step 4: Further notification in special circumstances

As required by section 95B(10), the consent authority must determine the following:

- (10) Determine whether special circumstances exist in relation to the application that warrant notification of the application to any other persons not already determined to be eligible for limited notification under this section (excluding persons assessed under section 95E as not being affected persons).

The proposal is for upgrades to an existing telecommunication facility and a consideration of adverse effects on any person has been undertaken under Step 3 where it was concluded that these are less than minor.



Therefore, there are no other persons who should be limited notified.

### **10.2.5 Limited notification assessment summary**

Overall, from the assessment undertaken, Steps 1 to 4 do not apply and there are no affected persons.

## **10.3 Notification assessment conclusion**

Pursuant to sections 95A to 95G of the Act, it is recommended that the application is non-notified based on the following reasons:

- Step 1 of section 95A: Public notification is not mandatory.
- Step 2 of section 95A: Public notification is precluded and therefore Step 3 of section 95A does not apply.
- Step 4 of section 95A: No special circumstances exist that require public notification.
- Step 1 of section 95B: There are no certain affected groups or persons who must be limited notified.
- Step 2 of section 95B: Limited notification is not precluded.
- Step 3 of section 95B: There are no certain other affected persons who must be limited notified.
- Step 4 of section 95B: No special circumstances exist that require limited notification to any other persons.

## **11.0 Part 2 of the Act**

Section 5 identifies the purpose of the Act as being the sustainable management of natural and physical resources. This means managing the use of natural and physical resources in a way that enables people and communities to provide for their social, cultural and economic well-being while sustaining those resources for future generations, protecting the life supporting capacity of ecosystems, and avoiding, remedying or mitigating adverse effects on the environment.

Section 6 of the Act sets out several matters of national importance. None of those matters of national importance are considered relevant to this application.

Section 7 identifies a number of "other matters" to be given particular regard to in the consideration of any assessment for resource consent, including:

*(c) the maintenance and enhancement of amenity values:*

The above assessment undertaken in section 7.0 of this report demonstrates that the proposal will result in less than minor adverse effects in regard to visual amenity and as such amenity values will be maintained.

Section 8 requires the consent authority to take into account the principles of the Treaty of Waitangi, and this has also informed our assessment under section 104.

Overall, the application is considered to be consistent with the relevant provisions of Part 2, as expressed through the objectives, policies and rules that we reviewed in earlier sections



of this application. Given this consistency, it is concluded that the proposal achieves the purposes of sustainable management set under section 5.

## 12.0 Conclusion

The Applicant seeks resource consent to upgrade an existing 2degrees telecommunications facility, involving the replacement of one existing microwave dish antenna on an existing telecommunication monopole at 1283 Motukiore Road, Horeke.

In terms of section 104(1)(a) of the Act, the actual and potential effects of the proposed activity on the environment will be less than minor and acceptable as assessed and discussed in sections 7.0 and 8.0 of this report. In particular, the proposal will not detract from the surrounding environment in terms of visual amenity.

As a controlled activity, the proposal has been assessed against the specific matters and limitations imposed by the relevant statutory documents plan. Relevant limited objectives, policies, rules or other provisions have also formed part of this assessment, and the proposal is considered consistent to the degree needed to grant consent. The proposal is consistent with Part 2 as expressed through those provisions.

The proposal is precluded from public notification; no persons will be adversely affected by the proposal and there are no special circumstances. As such the application does not need to be publicly or limited notified.

Hence, in accordance with section 104A in relation to controlled activities, it is considered appropriate for consent to be granted on a non-notified basis.



# Appendix A Record of Title

## Resource Consent Application

Upgrade of an Existing Telecommunication Facility at 1283 Motukiore Road,  
Horeke

Two Degrees Networks Limited

SLR Project No.: 810.030870.00001

6 September 2024



**RECORD OF TITLE  
UNDER LAND TRANSFER ACT 2017  
FREEHOLD  
Search Copy**



  
R. W. Muir  
Registrar-General  
of Land

**Identifier** **688664**  
**Land Registration District** **North Auckland**  
**Date Issued** 13 March 2015

**Prior References**  
NA176/58

---

**Estate** Fee Simple - 1/3570 share  
**Area** 77.6652 hectares more or less  
**Legal Description** Part Section 1-2 Parish of Waima

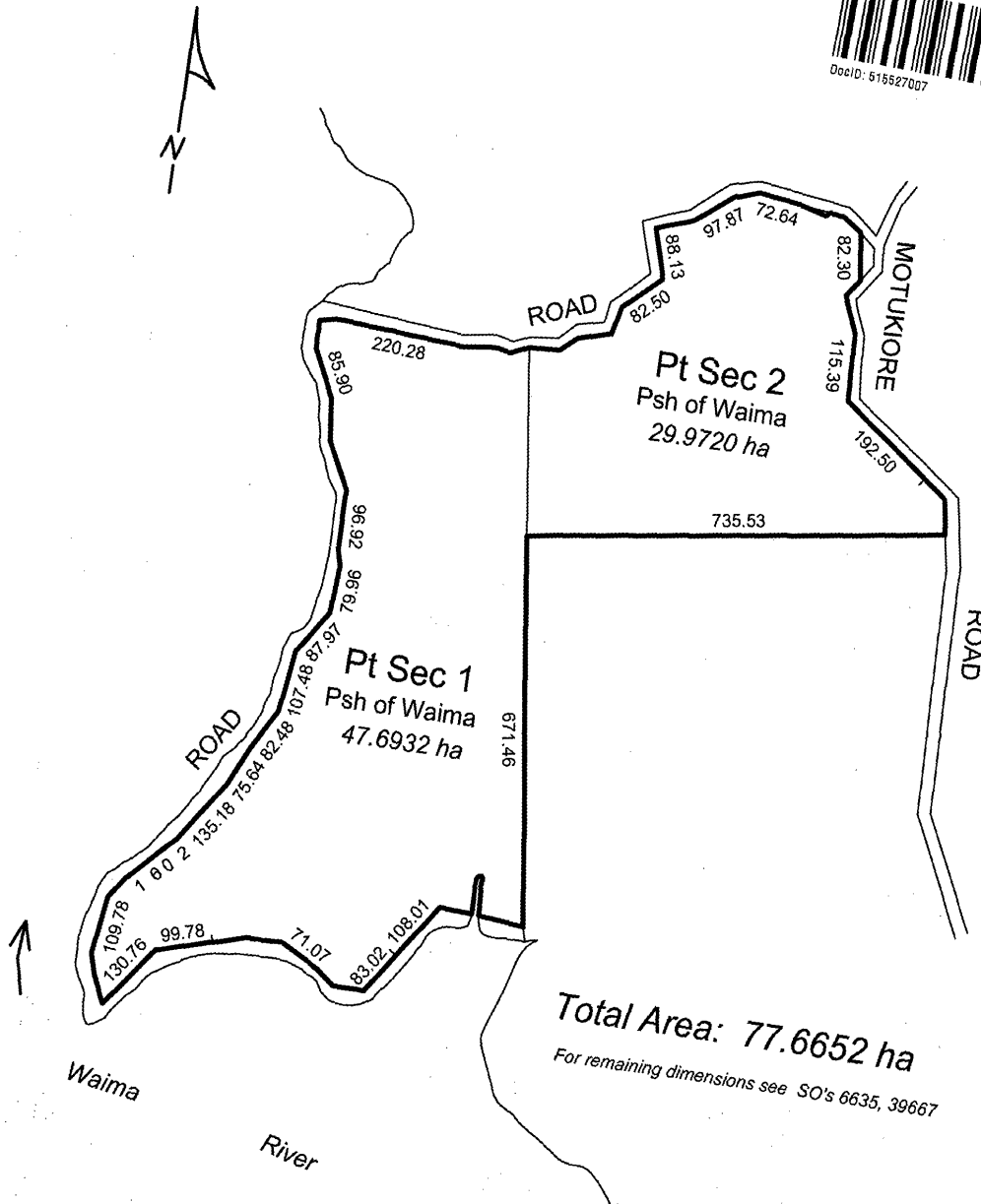
**Registered Owners**  
Clearspan Property Assets Limited

---

**Interests**

Subject to a right of way, a right to convey electricity, telecommunications and computer media over part marked A on DP 465301 created by Easement Instrument 9416135.2 - 9.10.2013 at 9:07 am  
9978579.4 Encumbrance to William Charles McCarthy and Noeleen McCarthy - 13.3.2015 at 3:08 pm

Title Diagram 688664  
Cpy - 01/01, Pgs - 001, 23/03/15, 14:39





**RECORD OF TITLE  
UNDER LAND TRANSFER ACT 2017  
FREEHOLD  
Search Copy**



  
R. W. Muir  
Registrar-General  
of Land

**Identifier** **688666**  
**Land Registration District** **North Auckland**  
**Date Issued** 13 March 2015

**Prior References**  
NA176/58

---

**Estate** Fee Simple - 3569/3570 share  
**Area** 77.6652 hectares more or less  
**Legal Description** Part Allotment 1-2 Parish of Waima

**Registered Owners**

Noeleen McCarthy as to a 1/2 share  
Noeleen McCarthy as to a 1/2 share

---

**Interests**

Subject to a right of way, a right to convey electricity, telecommunications and computer media over part marked A on DP 465301 created by Easement Instrument 9416135.2 - 9.10.2013 at 9:07 am  
9978579.5 Encumbrance to Clearspan Property Assets Limited - 13.3.2015 at 3:08 pm

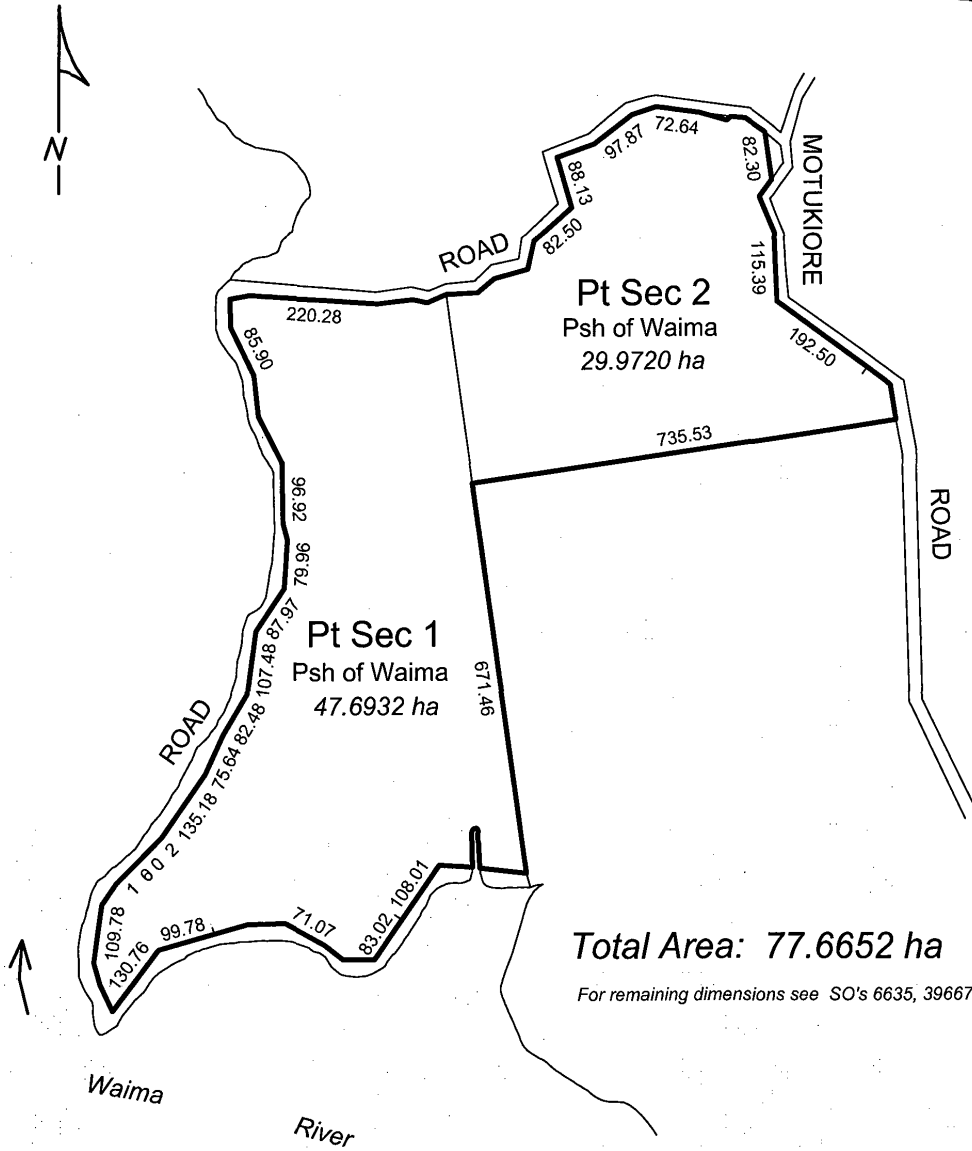


Title Diagram 688666

Cpy - 01/01, Pgs - 001, 23/03/15, 14:41



DocID: 615527015





# Appendix B Application Plans

## Resource Consent Application

Upgrade of an Existing Telecommunication Facility at 1283 Motukiore Road,  
Horeke

Two Degrees Networks Limited

SLR Project No.: 810.030870.00001

6 September 2024

# Two Degrees Networks Limited



DRAWING ISSUE INDEX			ISSUE DETAILS -- Date and Number of Copies											
ORGANISATION	ADDRESS	ATTENTION	16 NOV	23 MAY	17 APR	11 JUN	25 AUG							
			2017	2018	2024	2024	2024							
TWO DEGREES NETWORKS LTD	jackie.land@2degreesmobile.co.nz	JACKIE LAND	1	1	-	-	-							
TWO DEGREES NETWORKS LIMITED	Andy.Wurr@2degrees.nz	ANDY WURR	-	-	1	1	1							
DRAWING INDEX			1	2	3	4	5	6	7	8	9	10	11	12
DRAWING NO.	DRAWING TITLE	REVISION												
NTH-001-013-D00	COVER SHEET AND DRAWING ISSUE INDEX	1	2	3	4	5								
NTH-001-013-D01	LOCALITY AND SITE LAYOUT PLAN	1	2	3	4	5								
NTH-001-013-D02	SITE ELEVATIONS	1	2	3	4	5								
NTH-001-013-D02A	SITE AZIMUTH PLAN	-	-	3	4	5								
NTH-001-013-AB03	CABINET LAYOUT PLAN	1	2	-	-	-								
NTH-001-013-AB04	SITE AZIMUTH PLAN	1	2	-	-	-								
NTH-001-013-AB05	RRU MOUNTING DETAILS	1	2	-	-	-								
NTH-001-013-AB06	1200 MICROWAVE MOUNTING DETAILS	1	2	-	-	-								
NTH-001-013-ABE01	ELECTRICAL SERVICES	1	2	-	-	-								
NTH-001-013-D07	DETAIL LAYOUT PLAN	-	-	3	4	5								
2degrees STD-D501	STANDARD SIGNAGE	6	6	-	-	-								
2degrees STD-DB03-1	VODAFONE - CO-LOCATION SERIES - RING FRAME CONNECTION DETAIL - 1	10	10	-	-	-								
2degrees STD-DB03-2	VODAFONE - CO-LOCATION SERIES - RING FRAME CONNECTION DETAIL - 2	10	10	-	-	-								
2degrees STD-DB03-6	VODAFONE - CO-LOCATION SERIES - CABLE LADDER ATTACHMENT - 1	10	10	-	-	-								
2degrees STD-DB03-7	VODAFONE - CO-LOCATION SERIES - CABLE LADDER ATTACHMENT - 2	10	10	-	-	-								
2degrees STD-DB03-8	VODAFONE - CO-LOCATION SERIES - CABLE LADDER ATTACHMENT - 3	10	10	-	-	-								
2degrees STD-E731	ELECTRICAL STANDARD DRAWINGS - CO-LOCATION SERIES	5	5	-	-	-								
2degrees STD-D298-2	CABINET SPACER AND CABLE COVER - HUAWEI	-	-	5	5	-								

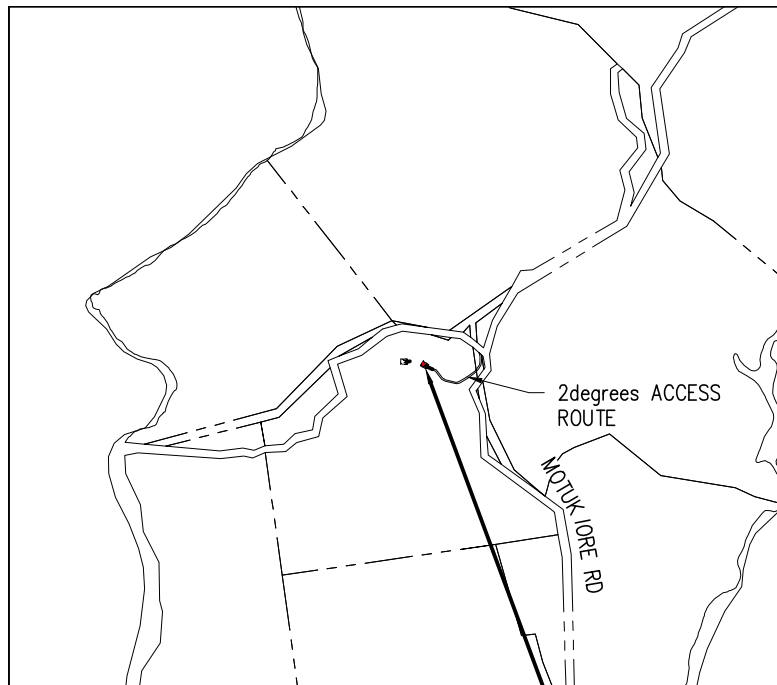
ORIGINATED FROM CONSTRUCTION DRAWING REV 4

## RAWENE 1283 MOTUKIORE ROAD HOREKE

### CONSTRUCTION DRAWINGS CO-LOCATION

JOB No. NTH-001-013-A  
AUGUST 2024

2degrees PROJECT MANAGER : ANDY WURR - 021 618 903  
 2degrees DESIGN MANAGER : JONATHON KING - 027 939 3651  
 Telcotower Design ENGINEER : RITCHELL TIGLEY - 021 120528



**LOCALITY MAP**  
SCALE 1:20000

**2degrees SITE**  
PART ALLOTMENT 2 PARISH OF WAIMA  
SO 6635  
N: 6643693 (NZMG)  
E: 2559302 (NZMG)  
LAT: -35.407040 (WGS84)  
LONG: 173.534473 (WGS84)

**LEGEND – EXISTING SERVICES**

— W — W — W —	WATER MAIN
— P — P — P —	POWER
— G — G — G —	GAS
— TC — TC — TC —	TELSTRA
— FO — FO — FO —	POWER (OVERHEAD)
— FO — FO — FO —	FIBRE OPTIC
— SW — SW — SW —	STORMWATER
— SS — SS — SS —	SANITARY SEWER
— T — T — T —	TELECOM

- ⊙ STORMWATER MANHOLE    ▣ DRAINAGE GRATE
- SANITARY SEWER MANHOLE

EXISTING VODAFONE 11kV BURIED POWER LINE LOCATED BY HAND PRIOR TO CONSTRUCTION

SECTOR	AZIMUTH(Deg)
SECTOR 1a	285°
SECTOR 1b	20°
SECTOR 2a	20°
SECTOR 2b	180°
SECTOR 3a	180°
SECTOR 3b	285°

DISH	AZIMUTH(Deg)	TYPE
A	TBC°	1200φ



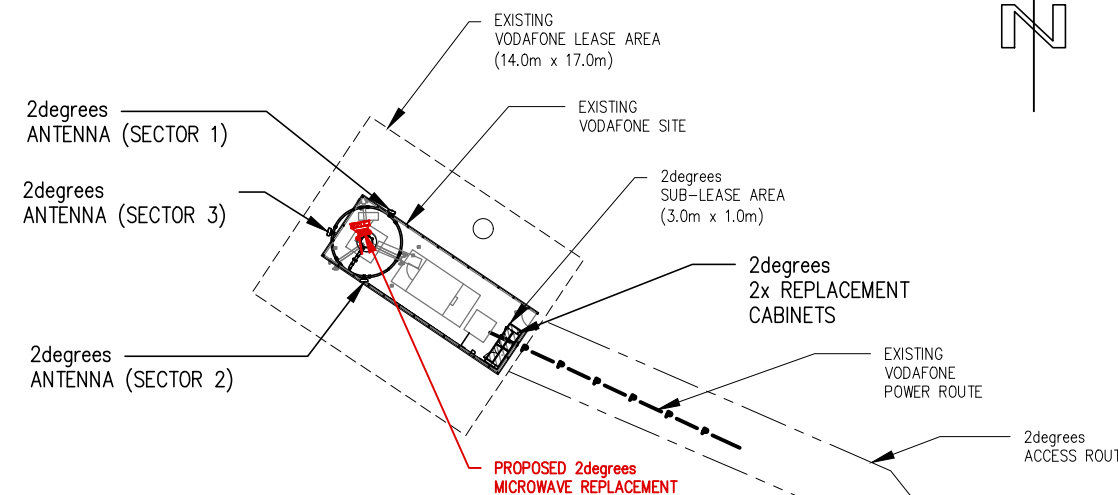
SECTOR	AZIMUTH (Deg)	ANTENNA MID HEIGHT (m)	PROPOSED ANTENNA	ANTENNA SIZE H x W x D (m)	NO. OF RRH	MECHANICAL TILT BRACKET	FIBER LENGTH CABINET TO RRH (m)	NO. OF FILTERS
1	20	25.0	ASI4518R85V06	2.695 x 0.499 x 0.206	2	N	37	2
2	180	25.0	ASI4518R85V06	2.695 x 0.499 x 0.206	2	N	37	2
3	285	25.0	ASI4518R85V06	2.695 x 0.499 x 0.206	2	N	37	2

DISH TYPE	AZIMUTH (Deg)	ANTENNA HEIGHT(AGL)(M)	PROPOSED ANTENNA TYPE	PROPOSED ANTENNA SIZE ( DIA.)	EXISTING ANTENNA TYPE	EXISTING ANTENNA SIZE ( DIA.)	FAR END SITE
PS22	350°	20.0	ERICSSON	φ1286	HUAWEI	φ1200	NTH-001-044-A

CO-LOCATION WITH VODAFONE

LOCATION OF EXISTING EP/LP'S CONFIRMED ON SITE PRIOR TO CONSTRUCTION. ENSURED ALL ARE UN-OBSTRUCTED & NOT COVERED BY EQUIPMENT

ALL ABOVE GROUND CABLING ARE RUN IN COVERED CABLE TRAY OR IN STEEL CONDUIT SADDLED TO CONCRETE. APPLY HAZARD TAPE WHERE NECESSARY



**SITE LAYOUT PLAN**  
SCALE 1:500

THIS DRAWING WAS PRODUCED FOR TWO DEGREES NETWORKS LIMITED AND MAY NOT BE ALTERED WITHOUT THEIR PERMISSION. THE DESIGN REMAINS THE PROPERTY OF TWO DEGREES NETWORKS LIMITED WHOSE ACCEPTS NO LIABILITY SHOULD THESE DRAWINGS BE ALTERED OR USED WITHOUT AUTHORISATION TO DO SO.

- NOTES:**
- ACCESS TO SITE FROM MOTUKIORE ROAD.
  - ANTENNA HEIGHTS ARE MEASURED FROM GROUND LEVEL (APPROX.).
  - FOR FUTURE WORKS, IT IS THE CONTRACTOR'S RESPONSIBILITY TO LOCATE AND PROTECT ALL EXISTING SERVICES IN THE VICINITY OF THE SITE (INCLUDING THOSE NOT NECESSARILY SHOWN).
  - ALL EXISTING SURFACES AND FEATURES ARE FULLY REINSTATED TO THEIR ORIGINAL CONDITION.
  - ROUTE CONFIRMED ON SITE BETWEEN CONTRACTOR AND LAND OWNER/POWER UTILITY. REFER TO CO-LOCATION E731 SERIES FOR DETAILS. POWER SUPPLY OPTION 1 DIRECTLY FROM VF TRANSFORMER 2m APPROXIMATE. EARTHING/LIGHTNING OPTION 1 TO BE CONNECTED TO EXISTING VF EARTHING SYSTEM AND POLE SUPPORT BOLT.
  - REFER TO 2degrees STD-D500 SERIES FOR SIGNS AS REQUIRED.
  - LEGAL BOUNDARY SURVEY COMPLETED.
  - CABLE LADDER COVERED & PAINTED TO MATCH EXISTING POLE.
  - ALL NEW ANTENNA/ANCILLARY EQUIPMENT SHALL HAVE EARTHING CONNECTED TO EXISTING LIGHTNING EARTH SYSTEM. NEW CABINET EQUIPMENT SHALL HAVE EARTHING CONNECTED TO EXISTING UTILITY CABINET EARTH BAR. REFER TO STANDARD E700 SERIES WHEN IN DOUBT.

REF	AMENDMENT	BY	DATE
5	MW ANTENNA REPLACEMENT	JV	25.08.24
4	REMOVED BASE CLAMP	RT	11.06.24
3	3G/4G NETWORK RENEWAL	DD	17.04.24
2	AS-BUILT	SG	23.05.18
1	APPROVED	JC	16.11.17

**Two Degrees Networks Limited**

PROJECT ADDRESS:  
**RAWENE**  
1283 MOTUKIORE ROAD  
HOREKE

PROJECT TITLE:  
**LOCALITY & SITE LAYOUT PLAN**

DESIGNED:	DATE:	SITE ACO APPROVAL:	CAD FILE: ...013-A-COLO-CD
JG	23.04.15	BC	
DRAWN:	DATE:	RMA APPROVAL:	CAD DIR:
JV	25.08.24	MD	
REVIEWED:	DATE:	RF APPROVAL:	SITE ACO BY:
BT	16.11.17	KL	BC
STRUCTURAL:	DATE:	TRANS. APPROVAL:	SURVEY BY:
AB	15.11.17	BS	
APPROVED:	DATE:	CONST. APPROVAL:	ASBUILT BY:
BS	15.11.17	RB	

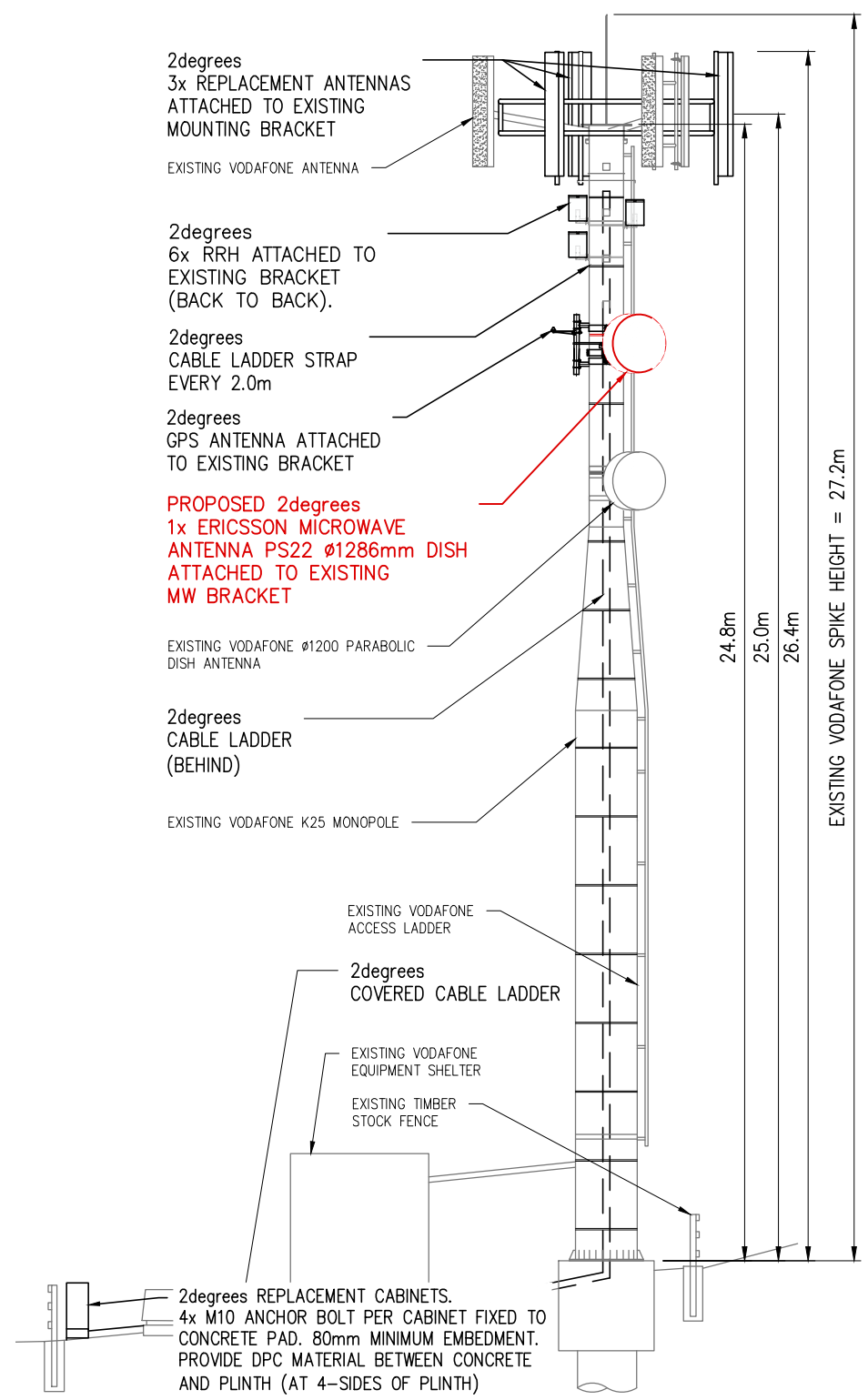
2degrees DRAWING TITLE:  
**CO-LOCATION - CONSTRUCTION**

JOB No:	CANDIDATE ID:	SCALES:	AS SHOWN	A3
NTH-001-013	A	A3 ORIGINAL		
DRAWING No:				REV
<b>NTH-001-013-D01</b>				<b>4.2</b>

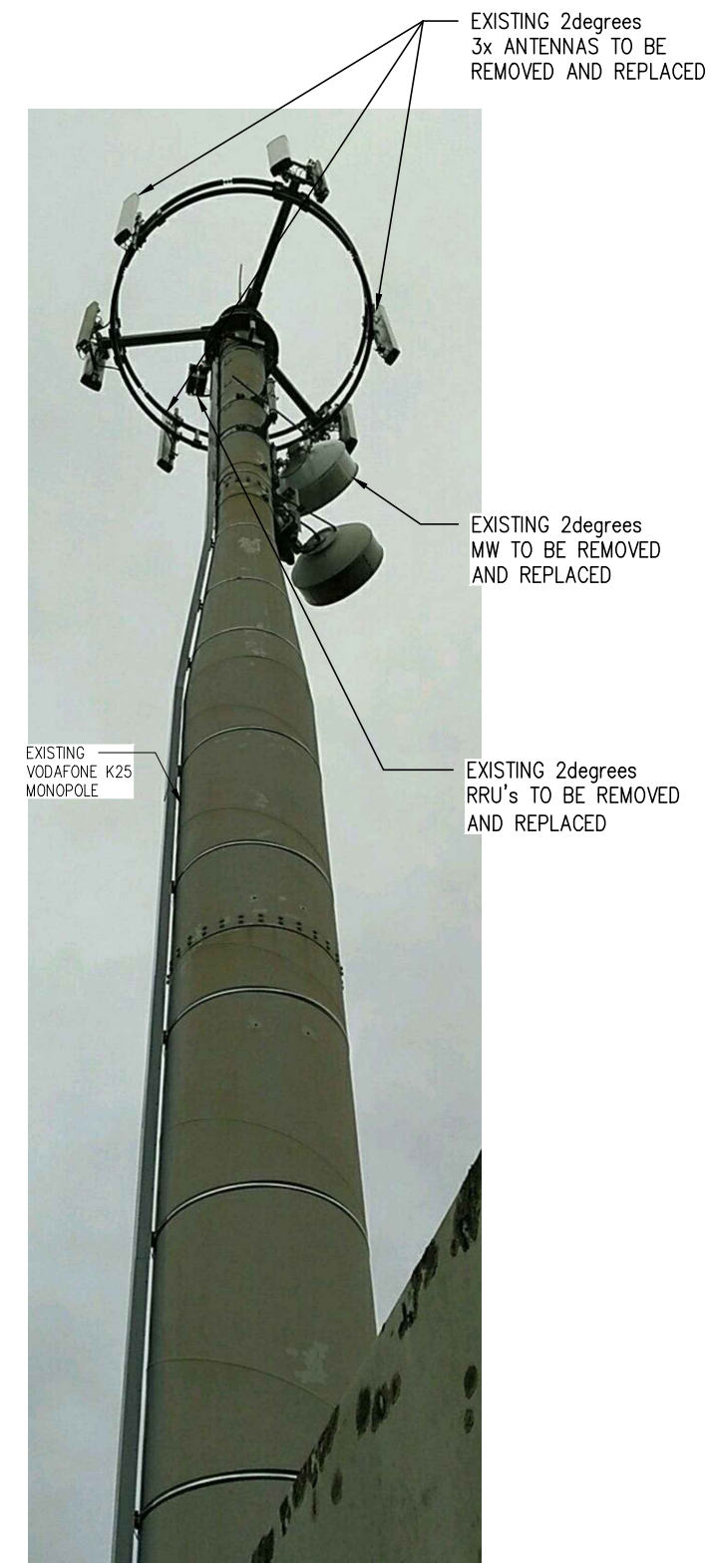
THIS DRAWING WAS PRODUCED FOR TWO DEGREES NETWORKS LIMITED AND MAY NOT BE ALTERED WITHOUT THEIR PERMISSION. THE DESIGN REMAINS THE PROPERTY OF TWO DEGREES NETWORKS LIMITED WHICH ACCEPTS NO LIABILITY SHOULD THESE DRAWINGS BE ALTERED OR USED WITHOUT AUTHORISATION TO DO SO.

USE DIMENSIONS SHOWN, ONLY SCALE FROM THIS DRAWING FOR APPROXIMATE USE.

NOTES:  
1. REFER TO SHEET D01 FOR NOTES.



**PROPOSED NORTHEASTERN ELEVATION**  
SCALE 1:150



**EXISTING EASTERN ELEVATION PHOTO**  
SCALE NTS

5	MW ANTENNA REPLACEMENT	JV	25.08.24
4	REMOVED BASE CLAMP	RT	11.06.24
3	3G/4G NETWORK RENEWAL	DD	17.04.24
2	AS-BUILT	SG	23.05.18
1	APPROVED	JC	16.11.17
REF	AMENDMENT	BY	DATE

**Two Degrees Networks Limited**

PROJECT ADDRESS:  
RAWENE  
1283 MOTUKIORE ROAD  
HOREKE

PROJECT TITLE:  
SITE ELEVATION

DESIGNED: JG	DATE: 23.04.15	SITE ACO APPROVAL: BC	CAD FILE: ...013-A-COLO-CD
DRAWN: JV	DATE: 25.08.24	RMA APPROVAL: MD	CAD DIR:
REVIEWED: BT	DATE: 16.11.17	RF APPROVAL: KL	SITE ACO BY: BC
STRUCTURAL: AB	DATE: 15.11.17	TRANS. APPROVAL: BS	SURVEY BY:
APPROVED: BS	DATE: 15.11.17	CONST. APPROVAL: RB	SURVEY DATE:
			ASBUILT BY:

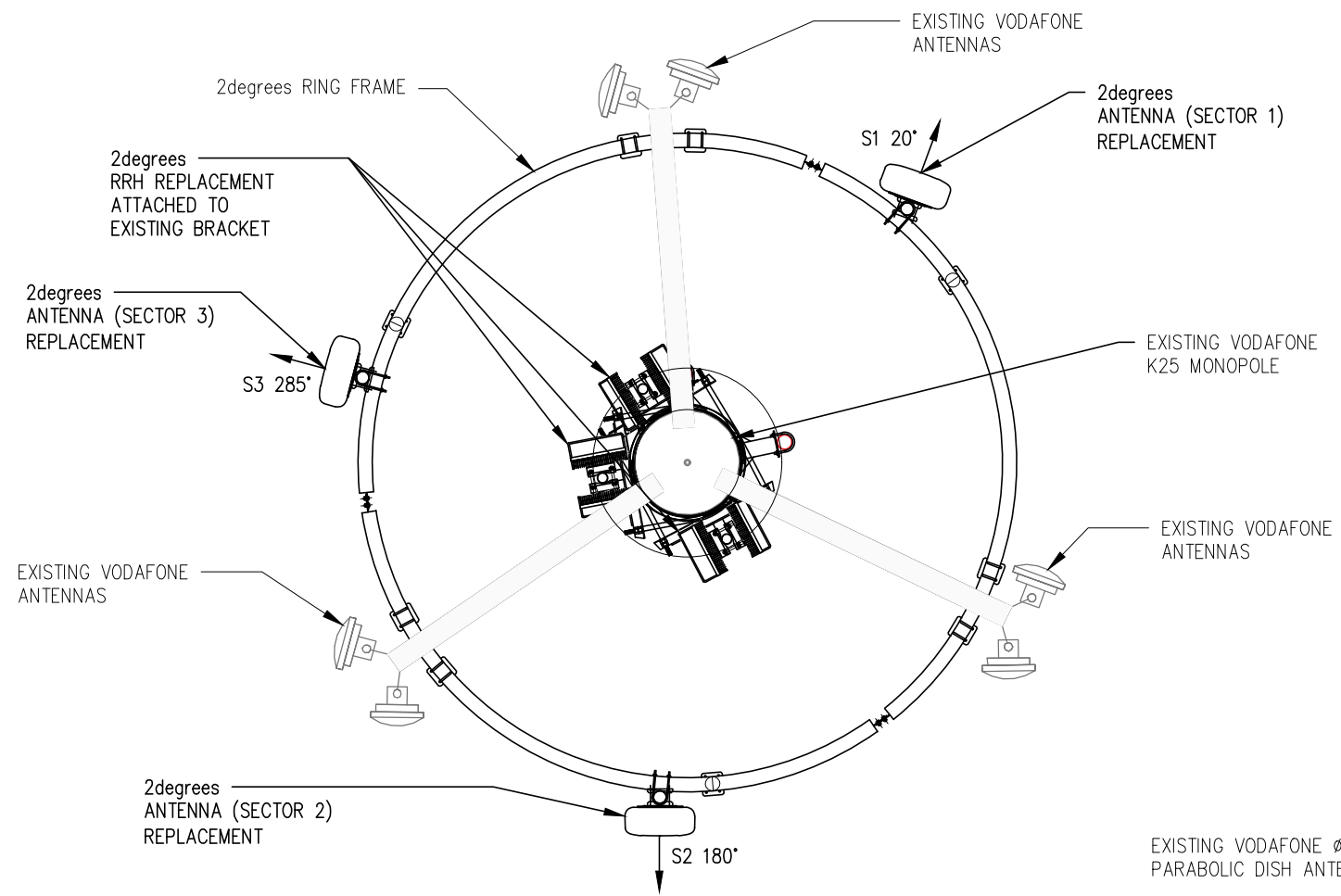
CO-LOCATION - CONSTRUCTION

JOB No: NTH-001-013	CANDIDATE ID: A	SCALES: AS SHOWN A3 ORIGINAL	A3
DRAWING No:			REV
<b>NTH-001-013-D02</b>			<b>4.2</b>

THIS DRAWING WAS PRODUCED FOR TWO DEGREES NETWORKS LIMITED AND MAY NOT BE ALTERED WITHOUT THEIR PERMISSION. THE DESIGN REMAINS THE PROPERTY OF TWO DEGREES NETWORKS LIMITED WHICH ACCEPTS NO LIABILITY SHOULD THESE DRAWINGS BE ALTERED OR USED WITHOUT AUTHORISATION TO DO SO.

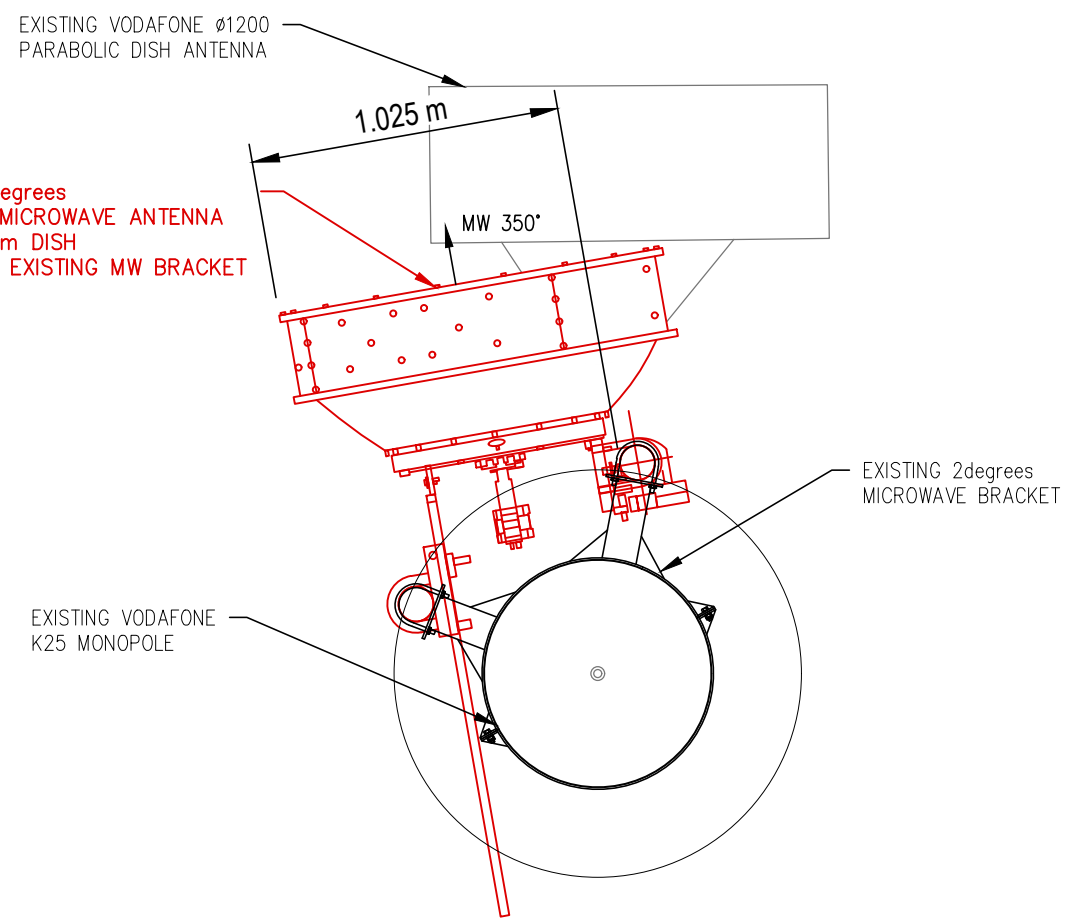
USE DIMENSIONS SHOWN, ONLY SCALE FROM THIS DRAWING FOR APPROXIMATE USE.

NOTES:  
1. REFER TO SHEET D01 FOR NOTES.



**ANTENNA PLAN**  
SCALE 1:50

PROPOSED 2degrees  
1x ERICSSON MICROWAVE ANTENNA  
PS22 Ø1286mm DISH  
ATTACHED TO EXISTING MW BRACKET



**PROPOSED MICROWAVE ANTENNA PLAN**  
SCALE 1:25

REF	AMENDMENT	BY	DATE
5	MW ANTENNA REPLACEMENT	JV	25.08.24
4	REMOVED BASE CLAMP	RT	11.06.24
3	3G/4G NETWORK RENEWAL	DD	17.04.24
2	AS-BUILT	SG	23.05.18
1	APPROVED	JC	16.11.17

## Two Degrees Networks Limited

PROJECT ADDRESS:  
**RAWENE  
1283 MOTUKIORE ROAD  
HOREKE**

PROJECT TITLE:  
**SITE AZIMUTH PLAN**

DESIGNED: JG	DATE: 23.04.15	SITE ACO APPROVAL: BC	CAD FILE: ...013-A-COLO-CD
DRAWN: JV	DATE: 25.08.24	RMA APPROVAL: MD	CAD DIR:
REVIEWED: BT	DATE: 16.11.17	RF APPROVAL: KL	SITE ACO BY: BC
STRUCTURAL: AB	DATE: 15.11.17	TRANS. APPROVAL: BS	SURVEY BY:
APPROVED: BS	DATE: 15.11.17	CONST. APPROVAL: RB	SURVEY DATE:

2degrees DRAWING TITLE:  
**CO-LOCATION - CONSTRUCTION**

JOB No: NTH-001-013	CANDIDATE ID: A	SCALES: AS SHOWN A3 ORIGINAL	A3
------------------------	--------------------	---------------------------------	----

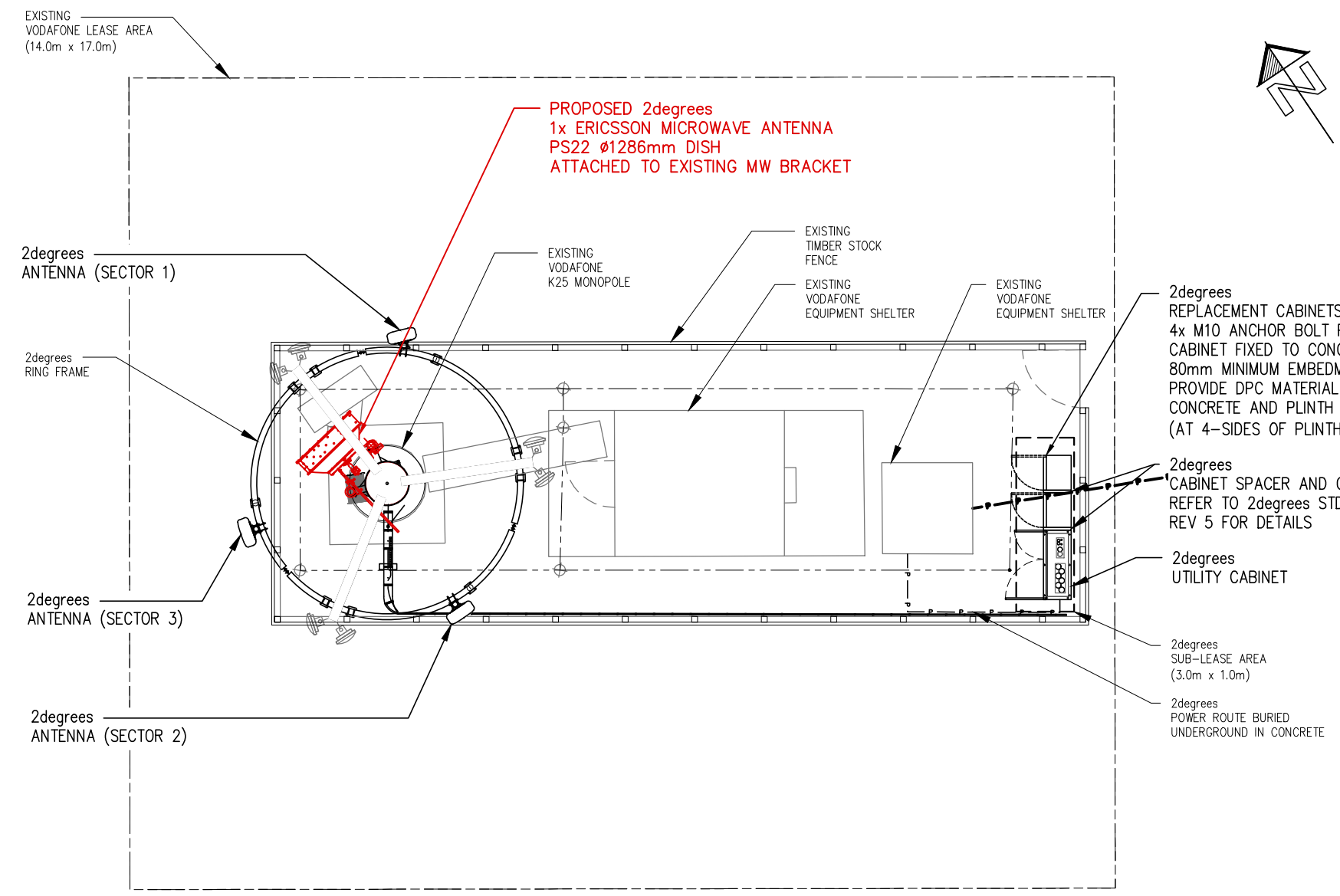
DRAWING No:  
**NTH-001-013-D02A**

REV  
**4.2**

THIS DRAWING WAS PRODUCED FOR TWO DEGREES NETWORKS LIMITED AND MAY NOT BE ALTERED WITHOUT THEIR PERMISSION. THE DESIGN REMAINS THE PROPERTY OF TWO DEGREES NETWORKS LIMITED WHICH ACCEPTS NO LIABILITY SHOULD THESE DRAWINGS BE ALTERED OR USED WITHOUT AUTHORISATION TO DO SO.

USE DIMENSIONS SHOWN, ONLY SCALE FROM THIS DRAWING FOR APPROXIMATE USE.

NOTES:  
1. REFER TO SHEET D01 FOR NOTES.



**DETAIL LAYOUT PLAN**  
SCALE 1:100

5	MW ANTENNA REPLACEMENT	JV	25.08.24
4	REMOVED BASE CLAMP	RT	11.06.24
3	3G/4G NETWORK RENEWAL	DD	17.04.24
2	AS-BUILT	SG	23.05.18
1	APPROVED	JC	16.11.17
REF	AMENDMENT	BY	DATE

## Two Degrees Networks Limited

PROJECT ADDRESS:  
**RAWENE**  
1283 MOTUKIORE ROAD  
HOREKE

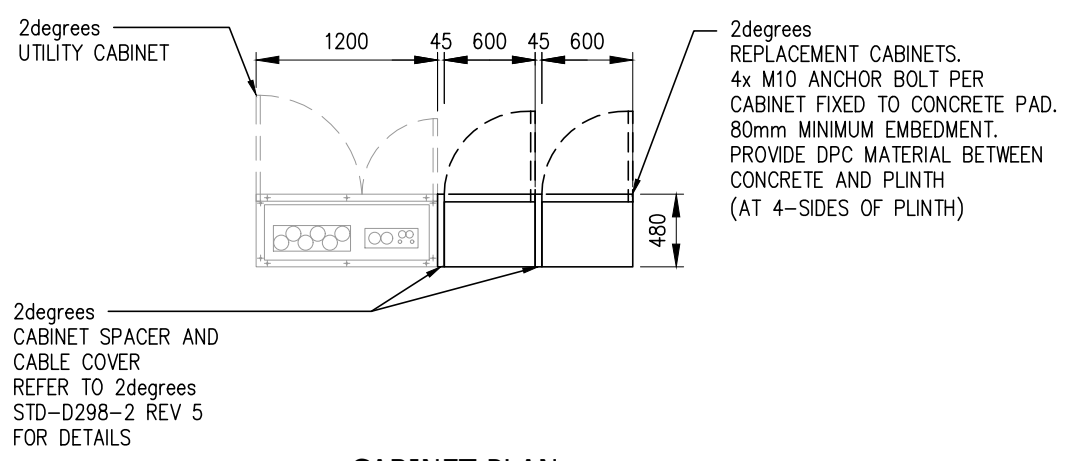
PROJECT TITLE:  
**DETAIL LAYOUT PLAN**

DESIGNED: JG	DATE: 23.04.15	SITE ACO APPROVAL: BC	CAD FILE: ...013-A-COLO-CD
DRAWN: JV	DATE: 25.08.24	RMA APPROVAL: MD	CAD DIR:
REVIEWED: BT	DATE: 16.11.17	RF APPROVAL: KL	SITE ACO BY: BC
STRUCTURAL: AB	DATE: 15.11.17	TRANS. APPROVAL: BS	SURVEY BY:
APPROVED: BS	DATE: 15.11.17	CONST. APPROVAL: RB	SURVEY DATE:
			ASBUILT BY:

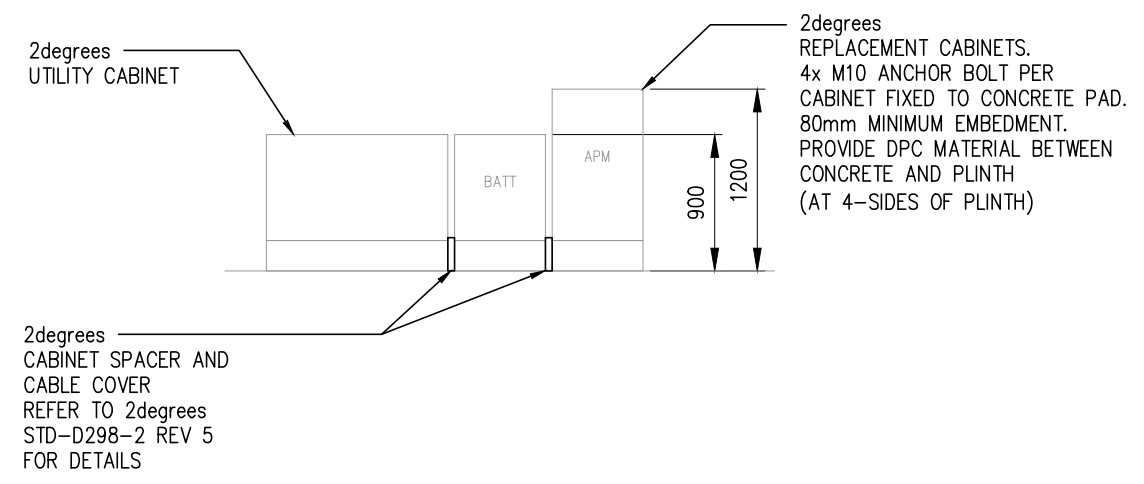
2degrees DRAWING TITLE:  
**CO-LOCATION - CONSTRUCTION**

JOB No: NTH-001-013	CANDIDATE ID: A	SCALES: AS SHOWN A3 ORIGINAL	A3
DRAWING No:			REV

**NTH-001-013-D07**      **4.2**



**CABINET PLAN**  
SCALE 1:50



**CABINET ELEVATION**  
SCALE 1:50



# **Appendix C Rules Assessment - National Environmental Standards for Telecommunication Facilities 2016 (NESTF)**

## **Resource Consent Application**

**Upgrade of an Existing Telecommunication Facility at 1283 Motukiore Road,  
Horeke**

**Two Degrees Networks Limited**

SLR Project No.: 810.030870.00001

6 September 2024



## Rules assessment

The following rules assessment has determined that resource consent is required for a **controlled activity**.

Note that only those rules and standards which are relevant to this application have been addressed.

### National Environmental Standards for Telecommunication Facilities (NESTF)

Regulation	Compliance	Non-compliance
<i>Part 2 - Carrying out of regulated activities</i>		
<p><i>Regulation 11 – Activity complying with standard is permitted activity</i></p> <p><i>A regulated activity is a permitted activity if it is carried out in accordance with the standard.</i></p>		<p><b>Does not comply.</b> The proposal will not be carried out in accordance with the standards. As such, the activity status is determined by the district plan.</p>
<p><i>Regulation 12 – Status if not permitted activity</i></p> <p><i>If a regulated activity is not a permitted activity under regulation 11,—</i></p> <p><i>(a) if the facility is an RFG facility, the status of the activity is to be determined under regulation 13; or</i></p> <p><i>(b) otherwise, the status of the activity is to be determined under regulations 14 to 18.</i></p>	<p>The facility is an RFG facility and therefore the status is determined under regulation 13.</p>	
<p><i>Regulation 13 – RFG facilities: status in respect of generation of radiofrequency fields</i></p> <p><i>(1) This regulation applies to a regulated activity if—</i></p> <p><i>(a) the facility is an RFG facility; and</i></p> <p><i>(b) the activity is not a permitted activity under regulation 11.</i></p> <p><i>(2) If regulation 55 is complied with,—</i></p> <p><i>(a) in respect of the generation of radiofrequency fields, the activity is a permitted activity; and</i></p> <p><i>(b) in all other respects, the status of the activity is to be determined in accordance with regulations 14 to 18.</i></p>	<p>The activity is not a permitted activity under regulation 11.</p> <p>Met. The facility continues to comply with regulation 55. The status of the activity is determined by regulations 14 to 18.</p>	

Regulation	Compliance	Non-compliance
<p><i>Regulation 14 – Controlled activities</i></p> <p><i>(1) A regulated activity is a controlled activity if—</i></p> <p><i>(a) it is carried out not in accordance with the standard; and</i></p> <p><i>(b) under the relevant district plan or proposed district plan, it is a permitted activity or controlled activity.</i></p> <p><i>(2) For the purposes of section 87A(2)(b) of the Act, control is reserved over the subject matter of each regulation (or component of a regulation)—</i></p> <p><i>(a) compliance with which is part of the standard; and</i></p> <p><i>(b) that is not complied with.</i></p>		<p><b>Consent required.</b></p> <p>The proposal is not carried out in accordance with the standard.</p> <p>The proposal is a permitted activity under the ODP and therefore is a controlled activity under the NESTF.</p>
<p><i>Part 3 - Regulated activities and standards</i></p> <p><i>Subpart 1 - Cabinets</i></p>		
<p><i>Regulations 19 – 25</i></p>	<p>N/A – no changes to the existing cabinets is proposed.</p>	
<p><i>Subpart 2 – Antennas</i></p>		
<p><i>Regulation 26 – 27</i></p> <p><i>Antennas on existing poles in road reserve - Regulated activity and standard</i></p>	<p>N/A – the pole is not in road reserve.</p>	
<p><i>Regulations 28 – 29</i></p> <p><i>Antennas on new poles in road reserve</i></p>	<p>N/A – the proposal does not involve new poles.</p>	
<p><i>Regulation 30 – 31</i></p> <p><i>Antennas on existing poles with antennas not in road reserve and in residential zone - Regulated activity and standard</i></p>	<p>N/A – the pole is not in road reserve and not in a residential area.</p>	
<p><i>Regulation 32 – Antennas on existing poles with antennas not in road reserve and not in residential zone - Regulated activity and standard</i></p> <p><i>(1) The installation and operation of an antenna (antenna D) by a facility operator is a regulated activity if,—</i></p> <p><i>(a) before work to install antenna D begins (date D), there is a pole (pole D) that—</i></p> <p><i>(i) is not in a road reserve; and</i></p> <p><i>(ii) is not in a residential zone; and</i></p>	<p>Applies and met. The existing pole is not in a road reserve and not in a residential zone. The existing pole has a microwave dish antenna attached to. The replacement dish antenna will be attached to the existing pole.</p>	

Regulation	Compliance	Non-compliance
<p><i>(iii) has 1 or more antennas (the existing antennas) attached to it (whether operated by the same or a different facility operator); and</i></p> <p><i>(b) the installation and operation of the existing antennas on pole D complies with the Act; and</i></p> <p><i>(c) antenna D (alone or with 1 or more other antennas) is to be installed—</i></p> <p><i>(i) on pole D in pole D’s original location; or</i></p> <p><i>(ii) on pole D after pole D is moved to a new location; or</i></p> <p><i>(iii) on a new pole erected to replace pole D; and</i></p> <p><i>(d) the pole on which antenna D is to be installed (the final pole) is—</i></p> <p><i>(i) not in a road reserve; and</i></p> <p><i>(ii) not in a residential zone.</i></p> <p><i>(2) The standard for the activity is that—</i></p> <p><i>(a) regulation 33 must be complied with; and</i></p> <p><i>(b) each regulation in subpart 5, if it applies, must be complied with; and</i></p> <p><i>(c) if the activity includes earthworks, regulations 53 and 54 must be complied with; and</i></p> <p><i>(d) if the antenna is an RFG facility, regulation 55 must be complied with.</i></p>	<p>Met. The existing pole is lawfully established.</p> <p>Met. No change to the location of the existing pole in proposed.</p> <p>N/A – there are no relevant subpart 5 matters.</p> <p>N/A – no earthworks are proposed.</p> <p>Met. The existing facility and panel antennas continue to comply with regulation 55.</p>	<p><b>Does not comply.</b> As assessed below, regulation 33 is not complied with.</p>
<p><i>Regulation 33 – Antenna on existing pole with antenna not in road reserve and not in residential zone</i></p> <p><i>(1) This regulation applies to the regulated activity described in regulation 32.</i></p> <p><i>(2) This regulation is complied with if, at the time antenna D is installed,—</i></p> <p><i>(a) if pole D is moved or replaced, the location of the final pole—</i></p> <p><i>(i) is not in a road reserve; and</i></p> <p><i>(ii) is not in a residential zone; and</i></p> <p><i>(iii) is not more than 5 m from pole D’s location on date D; and</i></p>	<p>The activity is a regulated activity described in regulation 32.</p> <p>N/A – the pole is not moved or replaced.</p>	

Regulation	Compliance	Non-compliance
<p><i>(b) if the antenna is a dish or panel antenna, the antenna size rules in subclause (3) are complied with; and</i></p> <p><i>(c) the pole width rules in subclause (4) or (5) are complied with; and</i></p> <p><i>(d) if the final pole has a headframe, the headframe width rules in subclause (6) are complied with; and</i></p> <p><i>(e) the pole height rules in subclause (7) are complied with.</i></p> <p><i>(3) The antenna size rules are that,—</i></p> <p><i>(a) if antenna D is a panel antenna, the width of the panel must not be more than,—</i></p> <p><i>(b) if antenna D is a dish antenna, the diameter of the dish must not be more than,—</i></p> <p><i>(i) if antenna D is a replacement for an existing dish antenna the diameter of which was more than 1.2 m, the diameter of the replaced antenna; or</i></p> <p><i>(ii) otherwise, 1.2 m.</i></p> <p><i>(4) If the final pole is in a rural zone, the pole width rules are that the width of the final pole must not be more than,—</i></p> <p><i>(a) if the width of pole D on date D was more than 6 m, that width; or</i></p> <p><i>(b) otherwise, the lesser of—</i></p> <p><i>(i) 6 m; and</i></p> <p><i>(ii) the width of pole D on date D multiplied by,—</i></p> <p><i>(A) if the number of antennas attached to the final pole is more than the number that were attached to pole D on date D, 2; or</i></p> <p><i>(B) otherwise, 1.3.</i></p>	<p>N/A – No change to the width of the existing pole.</p> <p>N/A – No change to the existing headframe.</p> <p>N/A – No change to the height of the existing pole.</p> <p>N/A – no panel antenna is proposed.</p> <p>N/A – No change to the width of the pole.</p>	<p><b>Does not comply.</b> As assessed below, the proposal will not comply with the antenna size rules in subclause (3).</p> <p><b>Does not comply.</b> The existing dish antenna is 1.2m and therefore a replacement dish shall have a diameter not more than 1.2m in diameter. The proposed dish is 1.286m in diameter, exceeding the permitted size for 0.086m.</p>


Regulation	Compliance	Non-compliance
<p><i>(5) If the final pole is not in a rural zone, the pole width rules are that the width of the final pole must not be more than the width of the baseline pole on the baseline date multiplied by,—</i></p> <p><i>(a) if the number of antenna attached to the final pole is more than the number that were attached to the baseline pole on the baseline date, 2; or</i></p> <p><i>(b) otherwise, 1.3.</i></p> <p><i>(6) The headframe width rules are that the width of the headframe on the final pole must not be more than,—</i></p> <p><i>(a) if pole D had a headframe on date D the width of which was more than 6 m, the width of that headframe; or</i></p> <p><i>(b) otherwise, 6 m.</i></p> <p><i>(7) The pole height rules are that the height of the final pole and all antennas must not be more than,—</i></p> <p><i>(a) if the pole was installed without a resource consent in reliance on regulation 34, the lesser of—</i></p> <p><i>(i) the height of pole D and all antennas on date D plus the permitted height increase; and</i></p> <p><i>(ii) 25 m; or</i></p> <p><i>(8) In this regulation, the permitted height increase is,—</i></p> <p><i>(a) if the facility operator for antenna D is the facility operator for all antennas attached to the final pole, 3.5 m; or</i></p> <p><i>(b) otherwise, 5 m.</i></p>	<p>N/A – the pole is in a rural zone.</p> <p>N/A – No change to the existing headframe.</p> <p>N/A – No change to the height of the existing pole.</p>	
<p><i>Regulations 34 – 35</i></p> <p><i>Antennas on new poles not in road reserve and in rural zone</i></p>	<p>N/A – the proposal does not involve new poles.</p>	
<p><i>Regulations 36 – 37</i></p> <p><i>Antennas on buildings - Regulated activity and standard</i></p>	<p>N/A – the proposal does not involve antennas on buildings.</p>	
<p><i>Subpart 3 – Small cell units</i></p>		
<p><i>Regulation 38 – Regulated activity and standard</i></p>	<p>N/A – the proposal does not involve small cell units.</p>	

Regulation	Compliance	Non-compliance
<i>Subpart 4 – Telecommunication lines</i>		
<i>Regulation 39 – Customer connection lines - Regulated activity and standard</i>	N/A – the proposal does not involve customer connection lines.	
<i>Regulation 40 – Customer connection line</i>	N/A – the proposal does not involve customer connection lines.	
<i>Regulation 41 – Aerial telecommunication lines along same routes as existing telecommunication or power lines - Regulated activity and standard</i>	N/A – the proposal does not include aerial telecommunication lines.	
<i>Regulation 42 – Aerial telecommunication line along same route as existing telecommunication or power line.</i>	N/A – the proposal does not involve aerial telecommunication lines.	
<i>Regulation 43 – Underground telecommunication lines – Regulated activity and standard</i>	N/A – the proposal does not involve underground telecommunication lines.	
<i>Subpart 5 – Application of district and regional rules</i>		
<i>Regulation 44 – Trees and vegetation in road reserves.</i>	N/A – the proposal is not located within the road reserve.	
<i>Regulation 45 – Significant trees</i>	N/A – there are no significant trees on the site listed under the district plan.	
<i>Regulation 46 – Historic heritage values</i>	N/A – there are no historic heritage values listed under the district plan.	
<i>Regulation 47 – Visual amenity landscapes</i>	N/A – The site is not subject to any overlays in the district plan that relates to visual amenity landscape.	
<i>Regulation 48 – Significant habitats for indigenous vegetation</i>	N/A – the proposed location is not subject to any overlays in the district plan that relate to significant habitats for indigenous vegetation.	
<i>Regulation 49 – Significant habitats for indigenous fauna</i>	N/A – the proposed location is not subject to any overlays in the district plan that relate to significant habitats for indigenous fauna.	
<i>Regulation 50 – Outstanding natural features or landscapes</i>	N/A – the proposed location is not subject to any overlays in the district plan that relate to outstanding natural features or landscapes.	

Regulation	Compliance	Non-compliance
<i>Regulation 51 – Places adjoining coastal marine area</i>	N/A – the proposal does not adjoin the coastal marine area.	
<i>Regulation 52 – Rivers and lakes</i>	N/A – the proposal will not be carried out over a river or lake.	
<i>Subpart 6 – Earthworks</i>		
<i>Regulation 53 – Earthworks associated with certain antennas</i>	N/A – No earthworks are required.	
<i>Regulation 54 – Earthworks: regional rules apply.</i>	N/A – No earthworks are required.	
<i>Subpart 7 – Radiofrequency fields</i>		
<p><i>Regulation 55 – Radiofrequency fields</i></p> <p>(1) <i>This regulation applies to an RFG facility.</i></p> <p>(2) <i>This regulation is complied with if-</i></p> <p>(a) <i>the facility is installed and operated in accordance with NZS 2772.1; and</i></p> <p>(b) <i>before the facility becomes operational, the facility operator gives the local authority—</i></p> <p>(i) <i>written or electronic notice of the facility’s location; and</i></p> <p>(ii) <i>a pre-commencement report that complies with subclause (3); and</i></p> <p>(c) <i>either—</i></p> <p>(i) <i>the facility operator gives the local authority a post-commencement report that complies with subclause (4) within 3 months after the facility becomes operational; or</i></p> <p>(ii) <i>under subclause (5), the facility operator is not required to give a post-commencement report</i></p> <p>(3) <i>A pre-commencement report must-</i></p> <p>(a) <i>be prepared in accordance with AS/NZS 2772.2; and</i></p> <p>(b) <i>take into account exposures arising from other</i></p>	<p>Applies. The existing facility is an RFG facility.</p> <p>There is no change proposed to the existing panel antenna on the existing facility and their operation. Therefore, compliance with regulation 55 is maintained.</p>	

Regulation	Compliance	Non-compliance
<p><i>telecommunication facilities in the vicinity of the facility; and</i></p> <p><i>(c) predict whether the radiofrequency field levels at places in the vicinity of the facility that are reasonably accessible to the general public will comply with NZS 2772.1</i></p> <p><i>(4) A post-commencement report must—</i></p> <p><i>(a) be prepared in accordance with AS/NZS 2772.2; and</i></p> <p><i>(b) provide evidence that the actual radiofrequency field levels at places in the vicinity of the facility that are reasonably accessible to the general public comply with NZS 2772.1</i></p> <p><i>(5) The facility operator is not required to give a post-commencement report if the prediction referred to in subclause (3)(c) was that the radiofrequency field levels will not reach 25% of the maximum level authorised by NZS 2772.1 for exposure of the general public</i></p>		





# **Appendix D Rules Assessment - Operative Far North District Plan (ODP) and Proposed Far North District Plan (PDP)**

## **Resource Consent Application**

**Upgrade of an Existing Telecommunication Facility at 1283 Motukiore Road,  
Horeke**

**Two Degrees Networks Limited**

SLR Project No.: 810.030870.00001

6 September 2024

## Rules assessment

The following rules assessment has determined that the proposal is a **permitted activity** under the Operative Far North District Plan (ODP).

It is noted that the relevant chapters in the Proposed Far North District Plan (PDP) do not have legal effect at the time the application is lodged.

Note that only those rules and standards which are relevant to this application have been addressed.

### D.1 Operative Far North District Plan (ODP)

Rules/Standards	Comments
<b>17 DESIGNATIONS AND UTILITY SERVICES – 17.2 UTILITY SERVICES</b>	
<p><b>17.2.6 RULES</b></p> <p><i>The rules contained in this section shall take precedence over the rules in Part 2 - Environment Provisions if there is overlap between the rules in this section and those contained in Part 2. Where there is no overlap the rules in Part 2 shall apply as well as the rules in this section, unless specifically stated to the contrary. Activities affected by this section of the Plan (Chapter 17.2) must, however, comply with other relevant standards in Part 3 – District Wide Provisions. Where an activity relates to the operation, maintenance, upgrading, relocation or removal of an existing National Grid transmission line, the Resource Management (National Environmental Standards for Electricity Transmission Activities) Regulations 2009 apply. Similarly, installation of telecommunication facilities (cabinets and telecommunications antennas) within road reserve is controlled by the Resource Management (National Environmental Standards for Telecommunication Facilities) Regulations 2008 and includes regulations in relation to specified radiofrequency fields and the control of noise from telecommunications cabinets.</i></p> <p><i>Particular attention is drawn to: (a) Chapter 12 Natural and Physical Resources (and the District Plan Maps); (b) Chapter 13 Subdivision; (c) Chapter 14 Financial Contributions; (d) Chapter 15 Transportation; (e) Chapter 16 Signs and Lighting; (f) Section 17.1 Designations (and the Zone Maps).</i></p>	
<p><b>17.2.6.1 PERMITTED ACTIVITIES</b></p> <p><i>An activity is a permitted activity if:</i></p> <ul style="list-style-type: none"> <li><i>(a) it complies with the standards set out in Rules 17.2.6.1.1 to 17.2.6.1.7; and</i></li> <li><i>(b) it complies with the relevant standards for permitted activities in the zone in which it is located, set out in Part 2 of the Plan - Environment Provisions, except where these standards overlap (refer 17.2.6 above); and</i></li> <li><i>(c) it complies with the relevant standards for permitted activities set out in Part 3 of the Plan - District Wide Provisions or the relevant National Environmental Standards except where any such provision allows for the activity affected by this section to be a “permitted activity” or where in any case the maintenance, replacement and upgrading of an existing use is specifically excluded from the operation of any rule.</i></li> </ul>	<p><b>Permitted activity.</b></p> <p>As assessed below compliance with all relevant standards can be achieved.</p> <p>Assessed below, compliance can be achieved. As noted in 17.2.6, rules in chapter 17 take precedence over the rules in Part 2 - Environment Provisions. For completeness, it is noted that the rural provision does not contains rules of network utilities.</p> <p>As assessed below compliance with all relevant standards can be achieved.</p>

Rules/Standards	Comments
<p><i>Note 1: Activities which comply with the provisions of 17.2.6.1.3 and 17.2.6.1.7 are not required to comply with the zone standards in Part 2 – Environmental Provisions.</i></p> <p><i>Note 2: The formation and/or upgrading of roads is not included as a permitted activity under this rule and is therefore a discretionary activity.</i></p> <p><i>Note 3: Earthworks rules relating to development near the National Grid as set out in Part 3 of the Plan - District Wide Provisions.</i></p>	<p>The proposal is not in for activities in 17.2.6.1.3 and 17.2.6.1.7.</p> <p>The proposal is not related to the formation and/or upgrading of roads.</p> <p>No earthworks are required.</p>
<p><b>17.2.6.1.1 UTILITY SERVICES SITUATED BELOW GROUND IN ALL ZONES</b></p>	<p>N/A – Not relevant to the proposal. The proposal is not for the listed activity</p>
<p><b>17.2.6.1.2 ABOVE GROUND UTILITY SERVICES WITHIN AN URBAN ZONE</b></p>	<p>N/A – The site is not in the urban environment.</p>
<p><b>17.2.6.1.3 ABOVE GROUND UTILITY SERVICES FOR SUPPLY OF ELECTRICITY INCLUDING LINES, STRUCTURES, AND SUPPORT STRUCTURES FOR THE TRANSFORMATION, TRANSMISSION OR DISTRIBUTION OF ELECTRICITY IN THE RURAL ENVIRONMENT</b></p>	<p>N/A – Not relevant to the proposal. The proposal is not for the listed activity</p>
<p><b>17.2.6.1.4 TELECOMMUNICATIONS AND RADIO COMMUNICATIONS FACILITIES EXCEPT IN THE RUSSELL TOWNSHIP ZONE</b>  <i>Telecommunications lines, telecommunications links and radio-communications are permitted activities in all zones except the Russell Township Zone; provided that:</i></p> <p>(a) <i>the maximum height of any support structure including antennae, shall be 20m unless the antenna is attached to a building in which case the height of the support structure and the associated antennae or microwave dishes shall not exceed 25m or the maximum height for the particular zone plus 7m, whichever is the greater; and</i></p> <p>(b) <i>the maximum diameter of microwave dishes shall be 2m; and</i></p> <p>(c) <i>if the facility is accessible to the public, it is designed and operated in accordance with NZS 2722 1:1999 “Radiofrequency Fields: Part 1: Maximum Exposure Levels: 3 kHz – 300 GHz” and with NZS 6609.2:1990 “Radiofrequency Radiation: Part 2: Principles and Methods of Measurement: 300 kHz – 100 GHz”.</i></p> <p>(d) <i>telecommunication facilities located in road reserve comply with the National</i></p>	<p>Complies. The proposal is for upgrades to telecommunication facility and the site is not in the Russell Township Zone.</p> <p>N/A – the proposal is on an existing telecommunication pole. No change to the existing pole is proposed.</p> <p>Complies. The replacement microwave dish antenna is 1,286mm in diameter.</p> <p>As assessed above in Appendix C, there is no change proposed to the existing panel antenna on the existing facility and their operation. Therefore, compliance with regulation 55 is maintained.</p> <p>N/A – the existing telecommunication facility is not located in road reserve.</p>

Rules/Standards	Comments
<p><i>Environmental Standard for Telecommunication Facilities</i></p> <p><i>Note: Telecommunications lines, telecommunication links and radio communications in the Russell Township Zone are subject to Rule 17.2.6.4(e).</i></p>	
17.2.6.1.5 SUBSTATIONS IN THE RURAL ENVIRONMENT	N/A – Not relevant to the proposal. The proposal is not for the listed activity
17.2.6.1.6 ANY OTHER UTILITY SERVICES SITUATED ABOVE GROUND, NOT WITHIN THE URBAN ENVIRONMENT	N/A – The site is not in the urban environment.
17.2.6.1.7 MAINTENANCE OF UTILITY SERVICES FOR THE SUPPLY OF ELECTRICITY INCLUDING LINES, STRUCTURES AND SUPPORT STRUCTURES FOR THE TRANSFORMATION, TRANSMISSION OR DISTRIBUTION OF ELECTRICITY	N/A – Not relevant to the proposal. The proposal is not for the listed activity
<p><b>Part 3 - District-wide Provisions</b></p> <p><b>12. Natural and physical resources</b></p> <p><b>13. Subdivision</b></p> <p><b>14. Financial contributions</b></p> <p><b>15. Transportation</b></p> <p><b>16. Signs and lighting</b></p> <p><b>18. Special areas</b></p> <p><b>19. Genetically modified organisms</b></p>	
<p><u>Note.</u> For completeness, we note that the site does not contains natural and physical resource and is not in special areas listed in the OPD. The proposal is not for activities related to subdivision, transportation, signs and lighting.</p> <p>As such, other chapters in Part 3 of the Plan - District Wide Provisions of the ODP are not relevant to the proposal.</p>	

## D.2 Proposed Far North District Plan (PDP)

Rules/Standards	Comments
<p><b>PART 2 – DISTRICT-WIDE MATTERS / ENERGY, INFRASTRUCTURE, AND TRANSPORT / Infrastructure</b></p>	
<p><u>Note.</u> Rules in the Energy, Infrastructure, and Transport chapter do not have legal effect at the time the application is lodged. No further assessment is required.</p>	
<p><b>PART 2 – DISTRICT-WIDE MATTERS / GENERAL DISTRICT-WIDE MATTERS / Coastal environment</b></p>	
<p><u>Note.</u></p> <ul style="list-style-type: none"> <li>The location of the facility is not subject to the Coastal Environment Overlay under the PDP.</li> <li>In addition, rules in the Coastal Environment chapter do not have legal effect at the time the application is lodged. No further assessment is required.</li> </ul>	



# Appendix E Application Form

## Resource Consent Application

Upgrade of an Existing Telecommunication Facility at 1283 Motukiore Road,  
Horeke

Two Degrees Networks Limited

SLR Project No.: 810.030870.00001

6 September 2024

# Application for resource consent or fast-track resource consent

(Or Associated Consent Pursuant to the Resource Management Act 1991 (RMA)) (If applying for a Resource Consent pursuant to Section 87AAC or 88 of the RMA, this form can be used to satisfy the requirements of Schedule 4). Prior to, and during, completion of this application form, please refer to Resource Consent Guidance Notes and Schedule of Fees and Charges — [both available on the Council's web page](#).

## 1. Pre-Lodgement Meeting

Have you met with a council Resource Consent representative to discuss this application prior to lodgement?  Yes  No

## 2. Type of Consent being applied for

*(more than one circle can be ticked):*

- Land Use
- Fast Track Land Use\*
- Subdivision
- Consent under National Environmental Standard (e.g. Assessing and Managing Contaminants in Soil) [National Environmental Standards for Telecommunication Facilities](#)
- Discharge
- Change of Consent Notice (s.221(3))
- Extension of time (s.125)
- Other (please specify) \_\_\_\_\_

\* The fast track is for simple land use consents and is restricted to consents with a controlled activity status.

## 3. Would you like to opt out of the Fast Track Process?

Yes  No

## 4. Consultation

Have you consulted with Iwi/Hapū?  Yes  No

If yes, which groups have you consulted with?

Who else have you consulted with?

For any questions or information regarding iwi/hapū consultation, please contact Te Hono at Far North District Council [tehonosupport@fndc.govt.nz](mailto:tehonosupport@fndc.govt.nz)

## 5. Applicant Details

**Name/s:**

Two Degrees Networks Limited

**Email:**

**Phone number:**

Work

Home

**Postal address:**

(or alternative method of service under section 352 of the act)

Postcode

## 6. Address for Correspondence

*Name and address for service and correspondence (if using an Agent write their details here)*

**Name/s:**

SLR Consulting New Zealand, Attention: Jo Li

**Email:**

**Phone number:**

**Postal address:**

(or alternative method of service under section 352 of the act)

*\* All correspondence will be sent by email in the first instance. Please advise us if you would prefer an alternative means of communication.*

## 7. Details of Property Owner/s and Occupier/s

*Name and Address of the Owner/Occupiers of the land to which this application relates (where there are multiple owners or occupiers please list on a separate sheet if required)*

**Name/s:**

Clearspan Property Assets Limited; Noeleen McCarthy

**Property Address/  
Location:**

Postcode

## 8. Application Site Details

*Location and/or property street address of the proposed activity:*

**Name/s:**

**Site Address/  
Location:**

1283 Motukiore Road, Horeke, Kohukohu, Northland, 0475

**Postcode**

**Legal Description:**

Part Section 1-2 Parish of Waim

**Val Number:**

00613-11900

**Certificate of title:**

688664, and 688666

Please remember to attach a copy of your Certificate of Title to the application, along with relevant consent notices and/or easements and encumbrances (search copy must be less than 6 months old)

### Site visit requirements:

Is there a locked gate or security system restricting access by Council staff?  Yes  No

Is there a dog on the property?  Yes  No

Please provide details of any other entry restrictions that Council staff should be aware of, e.g. health and safety, caretaker's details. This is important to avoid a wasted trip and having to re-arrange a second visit.

Please contact the agent to liaise a site visit.

## 9. Description of the Proposal:

Please enter a brief description of the proposal here. Please refer to Chapter 4 of the District Plan, and Guidance Notes, for further details of information requirements.

The proposed upgrade of an existing 2degrees telecommunications facility (2degrees site code: NTH-001-013 Rawene), involving the replacement of one existing microwave dish antenna on the existing telecommunication pole.

If this is an application for a Change or Cancellation of Consent Notice conditions (s.221(3)), please quote relevant existing Resource Consents and Consent Notice identifiers and provide details of the change(s), with reasons for requesting them.

## 10. Would you like to request Public Notification?

Yes  No



## 11. Other Consent required/being applied for under different legislation

(more than one circle can be ticked): N/A

- Building Consent
- Regional Council Consent (ref # if known)
- National Environmental Standard consent
- Other (please specify)

## 12. National Environmental Standard for Assessing and Managing Contaminants in Soil to Protect Human Health:

The site and proposal may be subject to the above NES. In order to determine whether regard needs to be had to the NES please answer the following:

Is the piece of land currently being used or has it historically ever been used for an activity or industry on the Hazardous Industries and Activities List (HAIL)  Yes  No  Don't know

Is the proposed activity an activity covered by the NES? Please tick if any of the following apply to your proposal, as the NESCS may apply as a result.  Yes  No  Don't know

- Subdividing land
- Disturbing, removing or sampling soil
- Changing the use of a piece of land
- Removing or replacing a fuel storage system

## 13. Assessment of Environmental Effects:

*Every application for resource consent must be accompanied by an Assessment of Environmental Effects (AEE). This is a requirement of Schedule 4 of the Resource Management Act 1991 and an application can be rejected if an adequate AEE is not provided. The information in an AEE must be specified in sufficient detail to satisfy the purpose for which it is required. Your AEE may include additional information such as Written Approvals from adjoining property owners, or affected parties.*

Your AEE is attached to this application  Yes

## 13. Draft Conditions:

Do you wish to see the draft conditions prior to the release of the resource consent decision?  Yes  No

If yes, do you agree to extend the processing timeframe pursuant to Section 37 of the Resource Management Act by 5 working days?  Yes  No

## 14. Billing Details:

This identifies the person or entity that will be responsible for paying any invoices or receiving any refunds associated with processing this resource consent. Please also refer to Council's Fees and Charges Schedule.

**Name/s:** (please write in full)

Two Degrees Networks Limited, C/- SLR Consulting New Zealand

**Email:**

**Phone number:**

**Postal address:**

(or alternative method of service under section 352 of the act)

### Fees Information

An instalment fee for processing this application is payable at the time of lodgement and must accompany your application in order for it to be lodged. Please note that if the instalment fee is insufficient to cover the actual and reasonable costs of work undertaken to process the application you will be required to pay any additional costs. Invoiced amounts are payable by the 20th of the month following invoice date. You may also be required to make additional payments if your application requires notification.

### Declaration concerning Payment of Fees

I/we understand that the Council may charge me/us for all costs actually and reasonably incurred in processing this application. Subject to my/our rights under Sections 357B and 358 of the RMA, to object to any costs, I/we undertake to pay all and future processing costs incurred by the Council. Without limiting the Far North District Council's legal rights if any steps (including the use of debt collection agencies) are necessary to recover unpaid processing costs I/we agree to pay all costs of recovering those processing costs. If this application is made on behalf of a trust (private or family), a society (incorporated or unincorporated) or a company in signing this application I/we are binding the trust, society or company to pay all the above costs and guaranteeing to pay all the above costs in my/our personal capacity.

**Name:** (please write in full)

Jo Li (on behalf of the applicant)

**Signature:**

(signature of bill payer)

**Date** 05-Sep-2024

**MANDATORY**

## 15. Important Information:

### Note to applicant

You must include all information required by this form. The information must be specified in sufficient detail to satisfy the purpose for which it is required.

You may apply for 2 or more resource consents that are needed for the same activity on the same form. You must pay the charge payable to the consent authority for the resource consent application under the Resource Management Act 1991.

### Fast-track application

Under the fast-track resource consent process, notice of the decision must be given within 10 working days after the date the application was first lodged with the authority, unless the applicant opts out of that process at the time of lodgement. A fast-track application may cease to be a fast-track application under section 87AAC(2) of the RMA.

### Privacy Information:

Once this application is lodged with the Council it becomes public information. Please advise Council if there is sensitive information in the proposal. The information you have provided on this form is required so that your application for consent pursuant to the Resource Management Act 1991 can be processed under that Act. The information will be stored on a public register and held by the Far North District Council. The details of your application may also be made available to the public on the Council's website, [www.fndc.govt.nz](http://www.fndc.govt.nz). These details are collected to inform the general public and community groups about all consents which have been issued through the Far North District Council.

## 15. Important information continued...

### Declaration

The information I have supplied with this application is true and complete to the best of my knowledge.

**Name:** (please write in full)

Jo Li (on behalf of the applicant)

**Signature:**

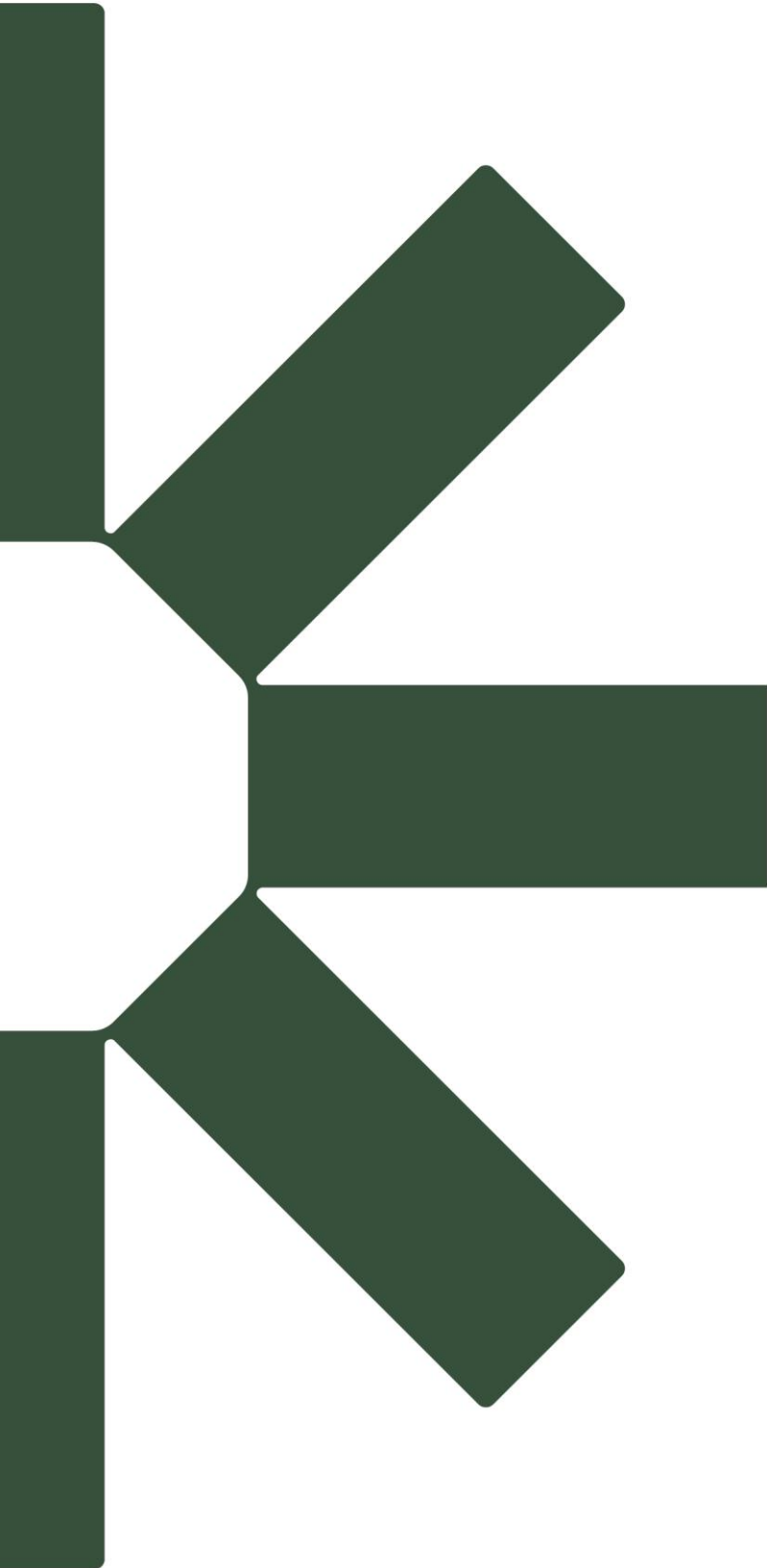
**Date** 05-Sep-2024

*A signature is not required if the application is made by electronic means*

### Checklist (please tick if information is provided)

- Payment (cheques payable to Far North District Council)
- A current Certificate of Title (Search Copy not more than 6 months old)
- N/A Details of your consultation with Iwi and hapū
- Copies of any listed encumbrances, easements and/or consent notices relevant to the application
- Applicant / Agent / Property Owner / Bill Payer details provided
- Location of property and description of proposal
- Assessment of Environmental Effects
- N/A Written Approvals / correspondence from consulted parties
- Reports from technical experts (if required)
- N/A Copies of other relevant consents associated with this application
- Location and Site plans (land use) AND/OR
- N/A Location and Scheme Plan (subdivision)
- Elevations / Floor plans
- N/A Topographical / contour plans

Please refer to Chapter 4 of the District Plan for details of the information that must be provided with an application. Please also refer to the RC Checklist available on the Council's website. This contains more helpful hints as to what information needs to be shown on plans.



Making Sustainability Happen